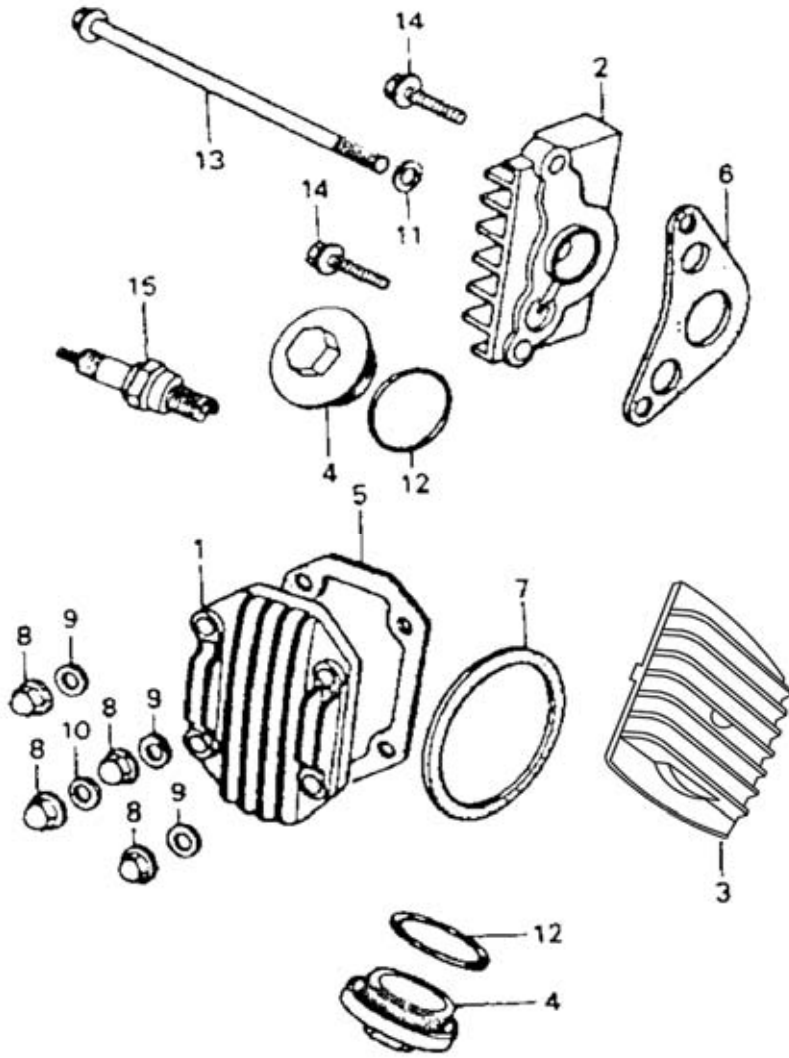


100-11 PRICE LIST (发动机总成10000 - F23-0000)



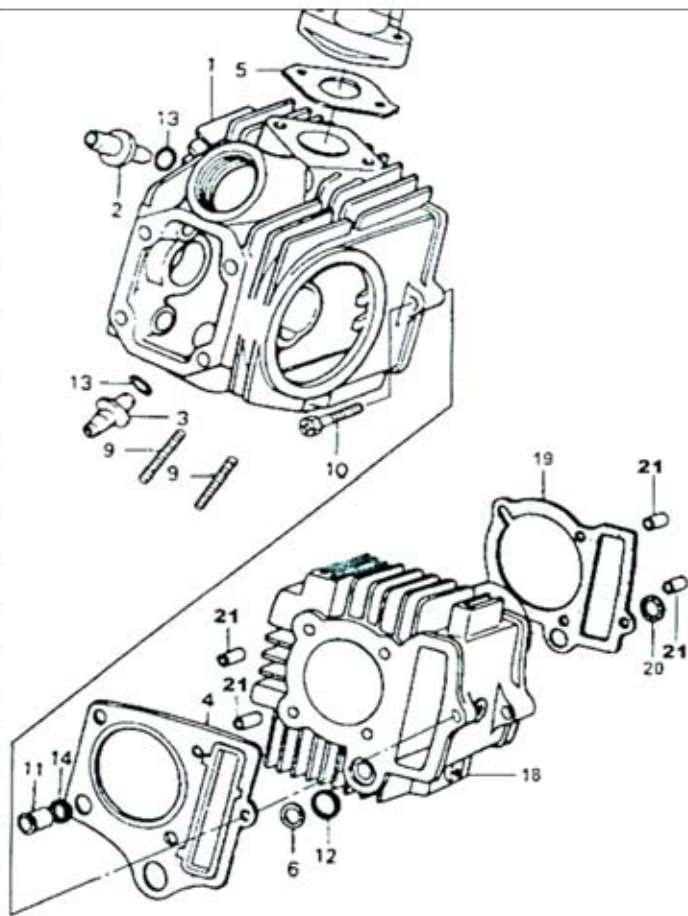
1、气缸盖组件CYLINDER COVER ASSY

序号 NO.	零部件代号 NO.	PART	零部件名称 及规格	Part Name And Standard
1	12201-F23-0000		气缸头盖	CYLINDER HEAD COVER
2	12204-F23-0000		气缸头右盖	CYLINDER HEAD COVER R
3	12205-F23-0000		气缸头左盖	CYLINDER HEAD COVER L
4	12361-F23-0000		气门盖	VALVE COVER
5	91201-F23-0000		气缸头盖密封垫	GASKET HEAD COVER
6	91202-F23-0000		气缸头右盖密封垫	GASKET HEAD COVER R
7	91203-F23-0000		气缸头左盖密封垫	GASKET HEAD COVER L
8	GB/T6177.2-2000	M6	盖形螺母M6	NUT M6
9	90601-F23-0000		垫圈 B6.5x2	CASKET B6.5x2
10	90602-F23-0000		垫圈(镀铜) B6.5x2	COPPER GASKET B6.5x2
11	90603-F23-0000		垫圈(铝) B6.5x2	ALUMINUM GASKET B6.5x2
12	91601-F23-0000		O型密封圈 30.8x3	O-RING 30.8x3
13	GB/T5789-1986	M6x110	螺栓 M6x110	BOLT M6x110
14	GB/T16674-1996	M6x20	螺栓 M6x20	BOLT M6x20
15	33300-F23-0000		火花塞	PLUG SPARK



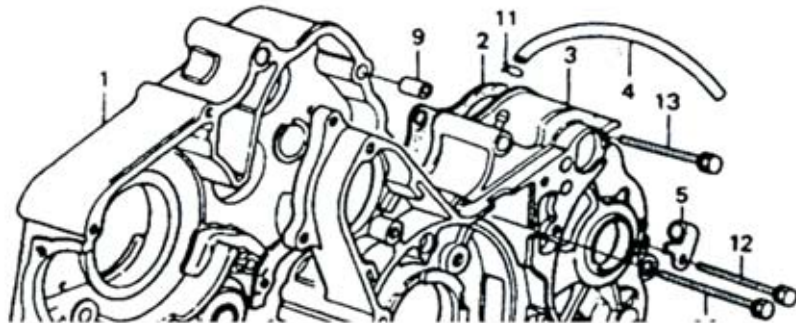
2、气缸头组件CYLINDER HEAD ASSY

序号 NO.	零部件代号 NO.	PART	零部件名称 及规格	Part Name And Standard
1	12200-F23-0000		气缸头	HEAD CYLINDER

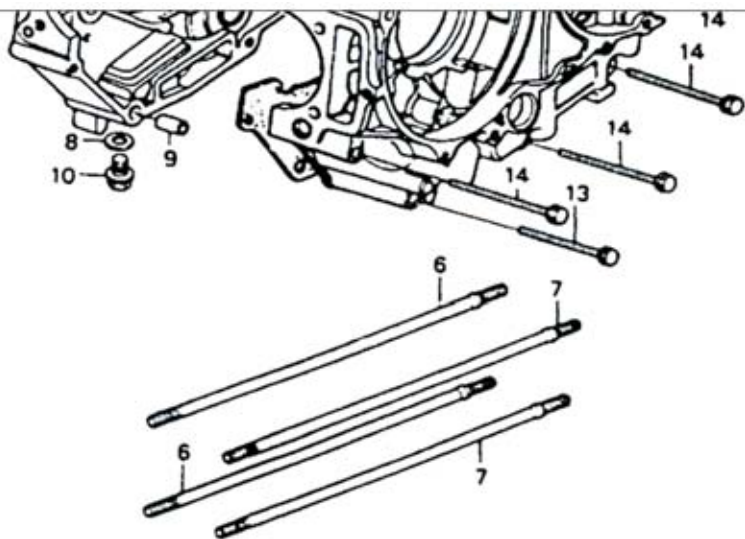


2	12202-F23-0000	进气门导管	INTAKE VALVE TUBE
3	12203-F23-0000	排气门导管	OUTLET VALVE TUBE
4	91204-F23-0000	气缸头密封垫	GASKET CYLINDER HEAD
5	91205-F23-0000	进气管密封垫	INLET PIPE O-RING
6	92401-F23-0000	矩形衬套11.5×9×1.5	BUSHING 11.5×9×1.5
7	91206-F23-0000	化油器隔热垫	INSULATOR, CARBURETOR
8	14800-F23-0000	进气管	INTAKE VALVE TUBE
9	GB/T899-1988 M6×35	双头螺栓M6×35	SCREW M6×35
10	GB/T5783-2000 M6×20	螺栓M6×20	SCREW M6×20
11	92402-F23-0000	翻边衬套	BUSHING
12	91602-F23-0000	矩形密封圈14.5×18.5×2.5	RING 14.5×18.5×2.5
13	91603-F23-0000	O型密封圈	O-RING 25×2.4
14	91604-F23-0000	矩形密封圈 9× 11.5×1.5	RING 9×11.5×1.5
15	91605-F23-0000	O型密封圈30.8×3	O-RING 30.8×3
16	GB/T16674-1996 M6×25	螺栓M6×25	SCREW M6×25
17	GB/T16674-1996 M6×28	螺栓M6×28	SCREW M6×28
18	12101-F23-0000	气缸体	CYLINDER BLOCK
19	91207-F23-0000	气缸体密封垫	GASKET , CYLINDER BLOCK
20	91606-F23-0000	矩形密封圈11.5×16×2.5	RING 11.5×16×2.5
21	90801-F23-0000	定位销8×14	PIN DOWEL 8×14

3、曲轴箱组件CRANKCASE ASSY



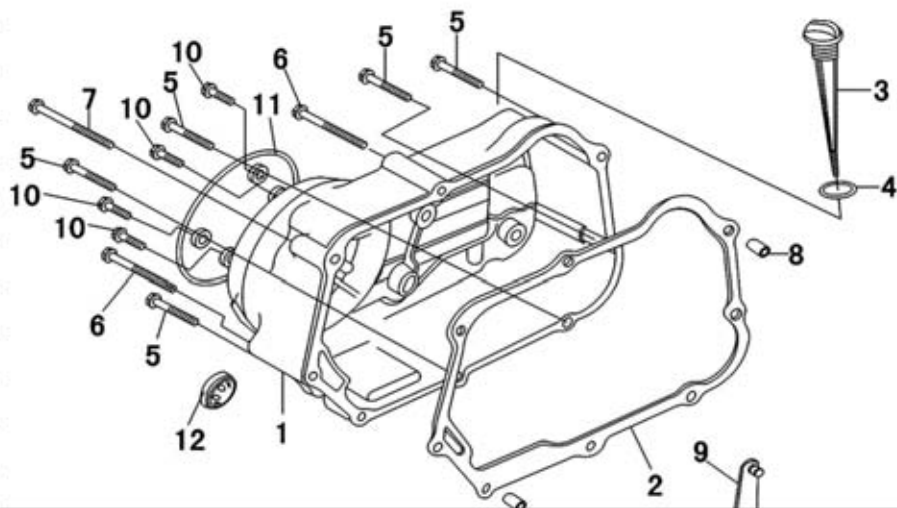
序号 NO.	零部件代号 PART NO.	零部件名称	Part Name And Standard
1	11000-F23-0000	右曲轴箱体	CRANKCASE ASSY R
2	91208-F23-0000	曲轴箱密封垫	GASKET , CRANKCASE
3	11200-F23-0000	左曲轴箱体	CRANKCASE ASSY L
4	18601-F23-0000	通气管5×320	TUBE BREATHER 5×320
5	91501-F23-0000	管夹	TUBE CLIP
6	90101-F23-0000	B栓M6×194	BOLT STUP M6×194
7	90102-F23-0000	A栓M6×202	BOLT STUP M6×202



8	90604-F23-0000	铝垫圈12.5×20	ALUMINUM PLATE
9	90802-F23-0000	定位销10×14	PIN DOWEL 10×14
10	GB/T5789-1986 M12	放油螺塞M12×10	SCREW M12
11	91502-F23-0000	卡圈	COLLAR
12	GB/T16674-1996 M6×50	螺栓M6×50	BOLT M6×50
13	GB/T16674-1996M6×60	螺栓M6×60	BOLT M6×60
14	GB/T16674-1996 M6×65	螺栓M6×65	BOLT M6×65

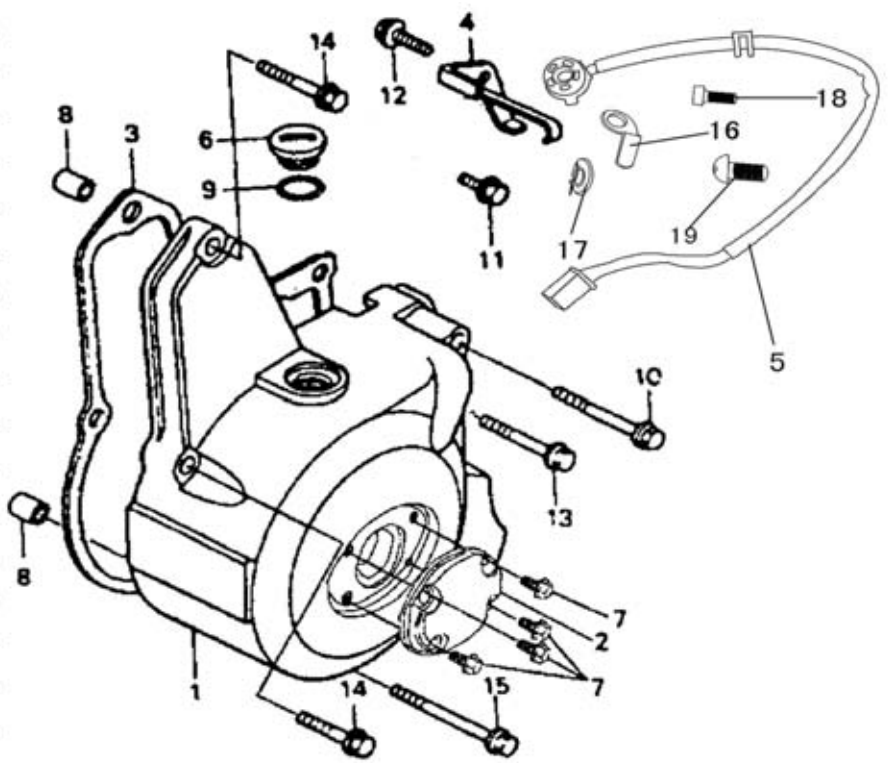
4、右曲轴箱盖组件CRANKCASE COVER R ASSY

序号 NO.	零部件代号 NO.	PART NO.	零部件名称	Part Name And Standard
1	11401-F23-0000		右曲轴箱盖	CRANKCASE ASSY R
2	91209-F23-0000		右曲轴箱盖密封垫	GASKET , CRANKCASE R
3	15651-F23-0000		机油标尺	GAUGE OIL LEVEL
4	91609-F23-0000		O型密封圈 18×3	O-RING 18×3
5	GB/T16674-1996 M6×40		螺栓M6×40	BOLT M6×40
6	GB/T16674-1996 M6×65		螺栓M6×65	BOLT M6×65
7	GB/T16674-1996 M6×80		螺栓M6×80	BOLT M6×80
8	90803-F23-0000		定位销 Φ8×12	PIN DOWELΦ 8×12
9	23401-F23-0000		离合器操纵臂组件	CLUTCH CONTROLING ARM ASSY
10	GB/T16674-1996 M6×12		螺栓M6×12	BOLT M6×12
11	11402-F23-0000		右曲轴箱盖装饰盖	DECORATE COVER CRANKCASE ASSY R
12	11403-F23-0000		视油镜	OIL MIRROR





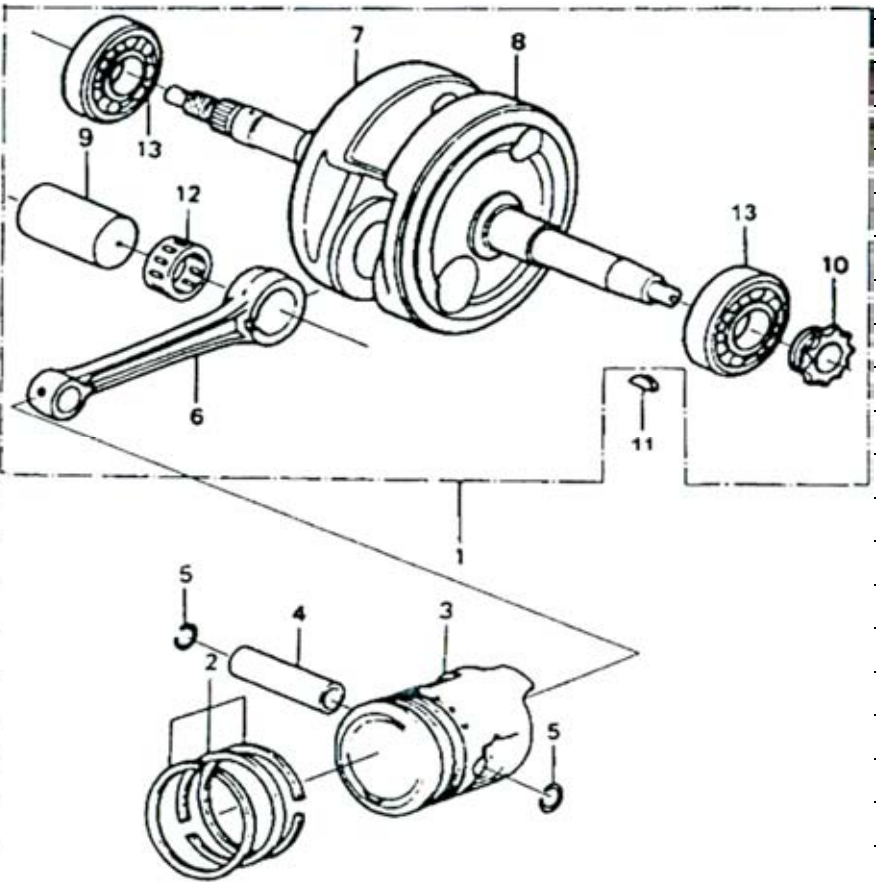
5、左前盖FRONT COVER L



序号 NO.	零部件代号 PART NO.	零部件名称	Part Name And Standard
1	11301-F23-0000	左前盖	FRONT COVER L
2	11302-F23-0000	左前盖装饰盖	DECORATE COVER , FRONT COVER L
3	11210-F23-0000	左前盖密封垫	GASKET , FRONT COVER L
4	91503-F23-0000	线夹	CLIP
5	31103-F23-0000	档位显示线组件	INDICATOR ASSY
6	11325-F23-0000	上视孔盖	HAND HOLE COVER
7	GB/T16674-1996 M6×12	螺栓M6×12	BOLT M6×12
8	90803-F23-0000	定位销 8×12	PIN DOWEL 8×12
9	91607-F23-0000	O型密封圈13.8×2.5	O-RING 13.8×2.5
10	GB/T16674-1996M6×50	螺栓M6×50	BOLT M6×50
11	GB/T16674-1996 M6×12	螺栓M6×12	BOLT M6×12
12	GB/T16674-1996 M6×16	螺栓M6×16	BOLT M6×16
13	GB/T16674-1996 M6×28	螺栓M6×28	BOLT M6×28
14	GB/T16674-1996 M6×35	螺栓M6×35	BOLT M6×35
15	GB/T16674-1996 M6×70	螺栓M6×70	BOLT M6×70
16	31104-F23-0000	压线板	WIRE-PRESSED PLATE
17	37180-F23-0000	触发开关	START SWITCH
18	GB/T70.1-2000	螺钉M6×16	SCREW M6×16
19	GB/T823-1988 M6×12	螺钉M6×12	SCREW M6×12

6、曲轴连杆总成CRANK CONECTING ROD

序号 NO.	零部件代号 NO.	PART	零部件名称	Part Name And Standard
1	13000-F23-0000		曲轴连杆总成	CRANKSHAFT CONNECTER ASSY
2	13120-F23-0000		活塞环组件	PISTON RING
3	13101-F23-0000		活塞	PISTON
4	13111-F23-0000		活塞销	PISTON PIN
5	91301-F23-0000		活塞销挡圈	PISTON PIN RING
6	13330-F23-0000		连杆	CONNECTING LEVEL
7	13320-F23-0000		右曲柄	CRANKSHAFT STEM R
8	13310-F23-0000		左曲柄	CRANKSHAFT STEM L
9	13340-F23-0000		曲柄销	PIN CRANKSHAFT STEM
10	22405-F23-0000		正时主动链轮	TIMING DRIVING GEAR
11	13201-F23-0000		半圆键	WOODRUFF KEY
12	92301-F23-0000		滚针轴承	BEARING DEEDLE
13	GB/T276-1994		轴承6304	BEARING6304



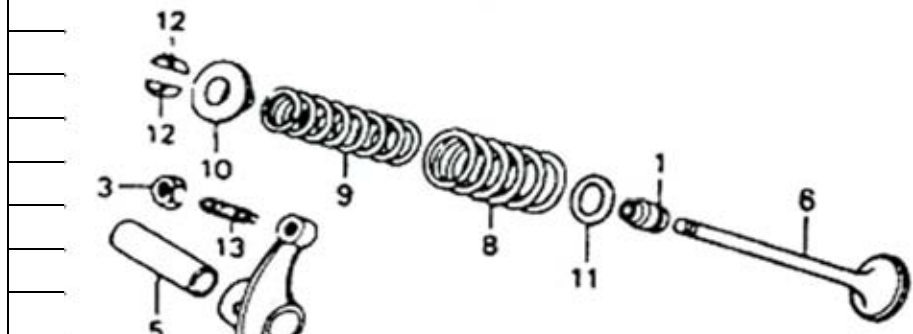
7、离合器CLUTCH

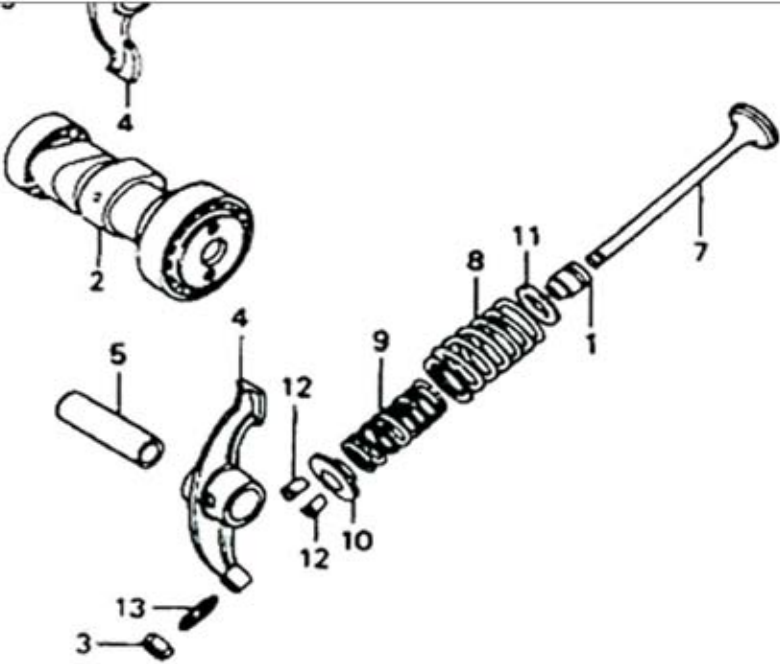
序号 NO.	零部件代号 NO.	PART	零部件名称	Part Name And Standard
5-				

	1	21101-F23-0000	轴套	CRANK COVER
	2	21102-F23-0000	主动齿轮	DRIVING GEAR
	3	21103-F23-0000	离合器组件	CLUTCH ASSY
	4	21104-F23-0000	锁紧垫圈	LOCKED WASHER
	5	21105-F23-0000	蝶形垫圈	BUTTERFLY SHAPED RING
	6	21106-F23-0000	圆螺母	ROUND NUT
	7	21107-F23-0000	离合器端盖密封垫	GLAND BUSH , CLUTCH COVER
	8	21108-F23-0000	离合器端盖组件	CLUTCH COVER ASSY
	9	GB/T819.2-1997	沉头螺钉M5×12	BOLT M5×12
	10	21109-F23-0000	B板组件	B PLATE ASSY
	11	21110-F23-0000	升降板弹簧	SPRING , LIFT PLATE
	12	21111-F23-0000	升降板组件	LIFT PLATE
	13	21112-F23-0000	通油导管弹簧	SPRING , OIL TUBE
	14	21113-F23-0000	通油导管	OIL TUBE
	15	21114-F23-0000	A板组件	A PLATE
	16	21115-F23-0000	调节螺栓	ADJUSTING BOLT
	17	91608-F23-0000	O形密封圈7×1.75	O-RING 7×1.75
	18	90605-F23-0000	铁垫φ8×2	IRON RING 8×2
	19	GB/T6171-2000	锁紧螺母	LOCKED NUT
	20	21300-F23-0000	从动齿轮	FOLLOWING GEAR
	21	90701-F23-0000	挡圈	CIRCLIP

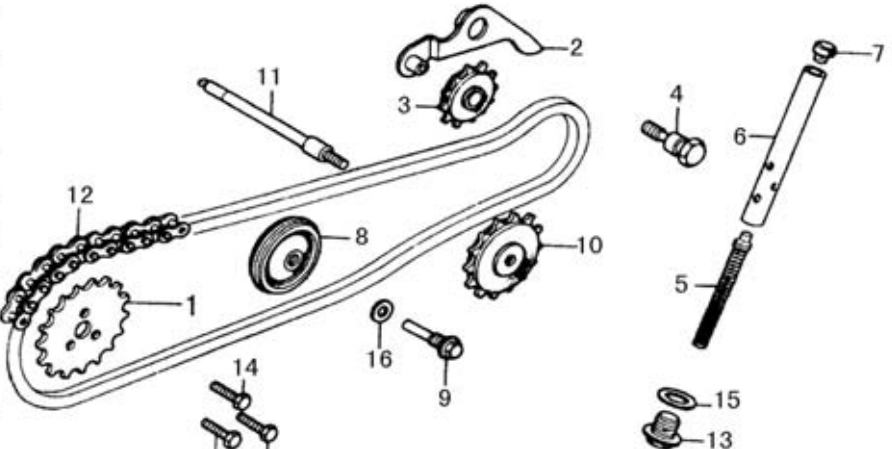
8、凸轮轴组件、气门CRANKSHAFT,VALVE

序号 NO.	零部件代号 PART NO.	零部件名称	Part Name And Standard
1	12209-F23-0000	挡油罩	OIL PROTECTED COVER
2	14100-F23-0000	凸轮轴组件	CAMSHAFT COMP
3	14433-F23-0000	气门锁紧螺母	NUT TAPPET ADJUSTING
4	14430-F23-0000	气门摇臂	ARM VALVE ROCKER
5	14451-F23-0000	摇臂轴	SHAFT ROCKER ARM
6	14711-F23-0000	进气门	VALVE IN
7	14721-F23-0000	排气门	VALVE EX



	8	14751-F23-0000	气门外弹簧	SPRING VALVE OUTER	
	9	14761-F23-0000	气门内弹簧	SPRING VALVE INNER	
	10	14771-F23-0000	气门锁夹座	SEAT VALVE SPRING OUTER	
	11	14775-F23-0000	气门弹簧座圈	COVER RING	
	12	14781-F23-0000	气门锁夹	COTTER, VALVE	
	13	14432-F23-0000	气门调整螺钉	ADJUSTING BOLT, VALVE	

9、正时链条、链条导向轮TIMING CHAIN.DIRECTION GEAR

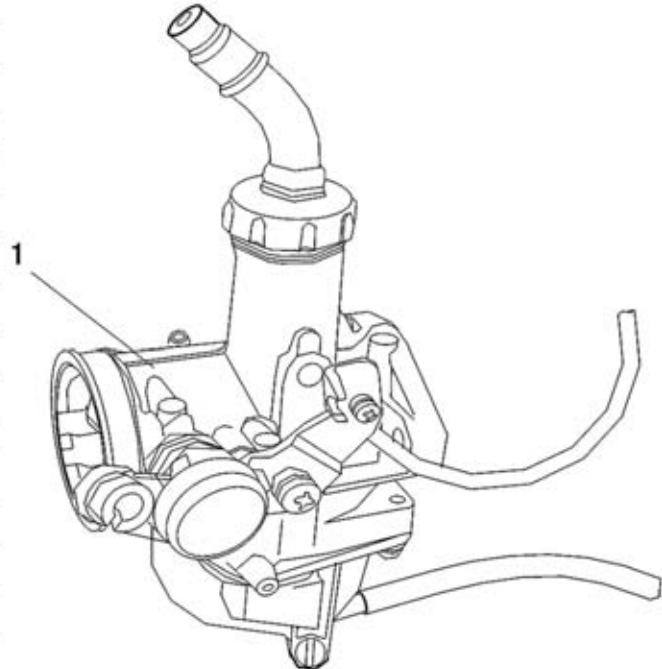
	序号 NO.	零部件代号 PART NO.	零部件名称	Part Name And Standard
	1	14501-F23-0000	正时从动链轮	TIMING GEAR
	2	14502-F23-0000	张紧臂	TENSION ARM
	3	14503-F23-0000	张紧轮	TENSION GEARING
	4	14504-F23-0000	张紧臂芯轴	TENSION ARM CENTRE BEARING
	5	14505-F23-0000	弹簧	SPRING
	6	14506-F23-0000	张紧杆	TENSION SHAFT
	7	14507-F23-0000	张紧杆胶头	TENTION LEVEL GUM HEAD
	8	14508-F23-0000	链条导向轮	DIRECTION GEARING
	9	14509-F23-0000	导向轮销轴	DIRECTION GEARING PIN
	10	15109-F23-0000	油泵链轮	SPROCKET OIL PUMP DRIVEN
	11	15110-F23-0000	油泵轴	OIL PUMP BEARING
	12	14301-F23-0000	正时链条	TIMING CHAIN
	13	90101-F23-0000	螺塞M14×12.5	BOLT M14×12.5
	14	7- GB/T5783-2000	螺栓M5×12	BOLT M15×12

14 14

15	90606-F23-0000	铝垫圈 $\Phi 14 \times 1.5$	ALUM RING $\Phi 14 \times 1.5$
16	90607-F23-0000	垫圈 $\Phi 6 \times 1.5$	CIRCKIP $\Phi 6 \times 1.5$

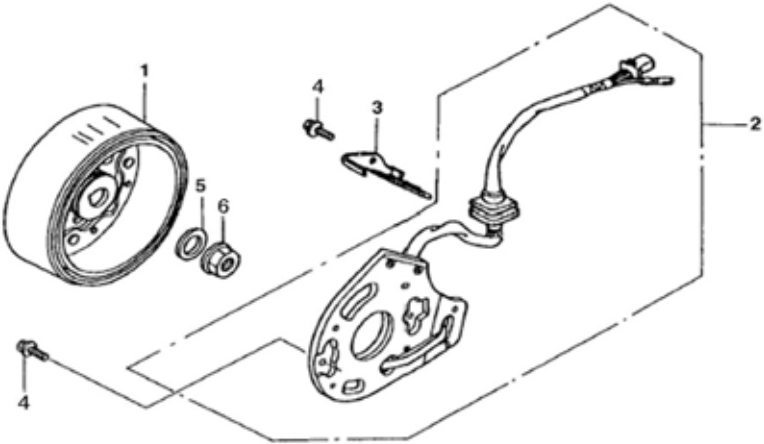
10、化油器CARBURETOR

序号 NO.	零部件代号 PART NO.	零部件名称	Part Name And Standard
1	16100-F23-0000	化油器组件PZ19	CARBURETOR PZ19



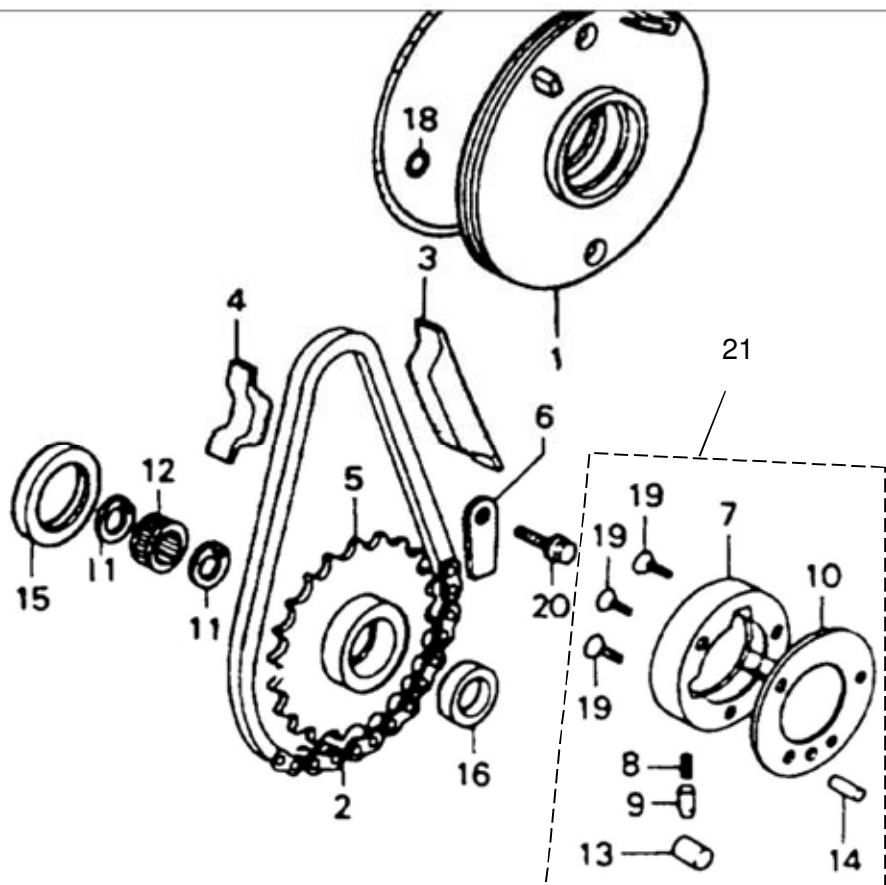
--	--	--	--

11、磁电机总成MAGINE TOELE TRYCITY MACHINE

	序号 NO.	零部件代号 PART NO.	零部件名称	Part Name And Standard
	1	31101-F23-0000	转子组件	ROTOR ASSY
	2	31102-F23-0000	定子组件	STATOR ASSY
	3	31105-F23-0000	压线板	WIRE PLATE
	4	GB/T5783-2000	螺栓M6×20	BOLT M6×20
	5	90608-F23-0000	垫圈 B10×1.5	GASKET B10×1.5
	6	GB/T6177.2-2000	螺母M10	NUT M10

12、启动超越离合器STARTING CLUTCH GEAR

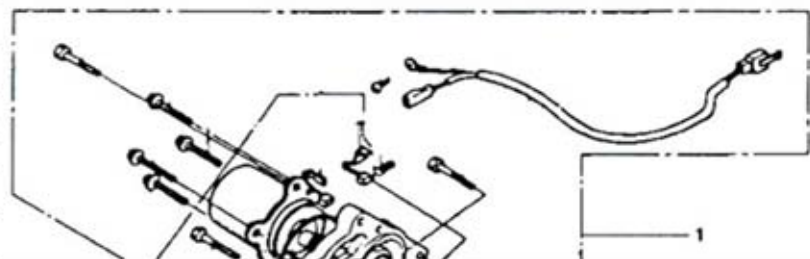
	序号 NO.	零部件代号 PART NO.	零部件名称	Part Name And Standard
	1	12208-F23-0000	挡油盘组件	PLATE OIL PROTECT ASSY
	2	24401-F23-0000	启动链条	STARTING CHAIN

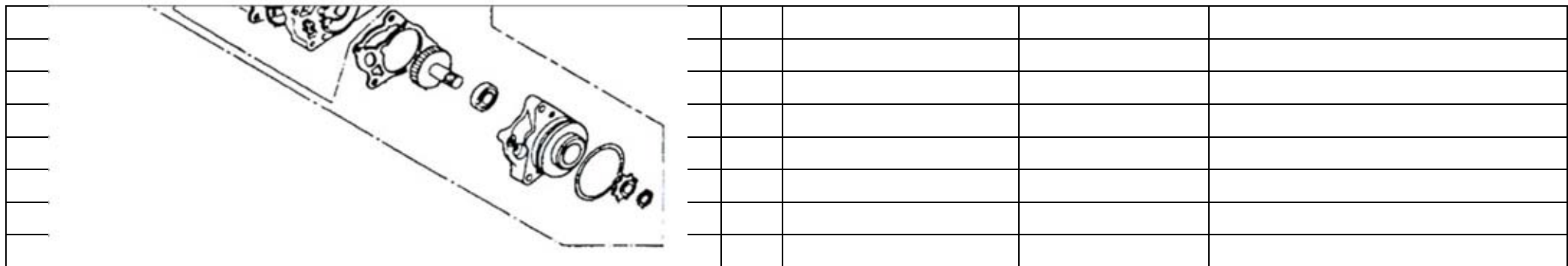


3	24402-F23-0000	启动链条导向板	STARTING CHAIN DIRECTION PLATE
4	24403-F23-0000	涨紧板	TENSION BOARD
5	24404-F23-0000	启动链轮组件	STARTING SPROCKET WHEEL ASSY
6	24405-F23-0000	启动链轮定位板	FIXED BOARD , STARTING SPROCKET W
7	24406-F23-0000	超越离合器本体	CLUTCH GEAR
8	24407-F23-0000	离合器滚柱弹簧	CLUTCH ROLLING SPRING
9	24408-F23-0000	销	PIN
10	24409-F23-0000	超越离合器限位板	SHIFT PEDAL
11	90702-F23-0000	挡圈 23	CIRCKIP23
12	24410-F23-0000	滚针轴承 19× 23×13	BEARING NEEDLE 19×23×13
13	24411-F23-0000	离合器滚柱10×10	CLUTCH ROLLING SPRING10×10
14	24412-F23-0000	销轴 5×11.8	PIN BEARING 5×11.8
15	91101-F23-0000	油封 30×42×4.5	OIL SEAL 30×42×4.5
16	91102-F23-0000	油封 18×30×5	OIL SEAL 18×30×5
17	91610-F23-0000	O型密封圈 2×107	O-RING 2×107
18	91611-F23-0000	O型密封圈 6×2.2	O-RING 6×2.2
19	GB/T70.1-2000 M6×16	螺钉M6×16	SCREW M6×16
20	GB/T16674-1996 M6×10	螺栓M6×10	BOLT M6×10
21	24413-F23-0000	超越离合器组件	CLUTCH ASSY

13、启动电机STARTING MOTOR

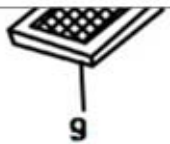
序号 NO.	零部件代号 PART NO.	零部件名称	Part Name And Standard
1	31200-F23-0000	启动电机	STARTING MOTOR



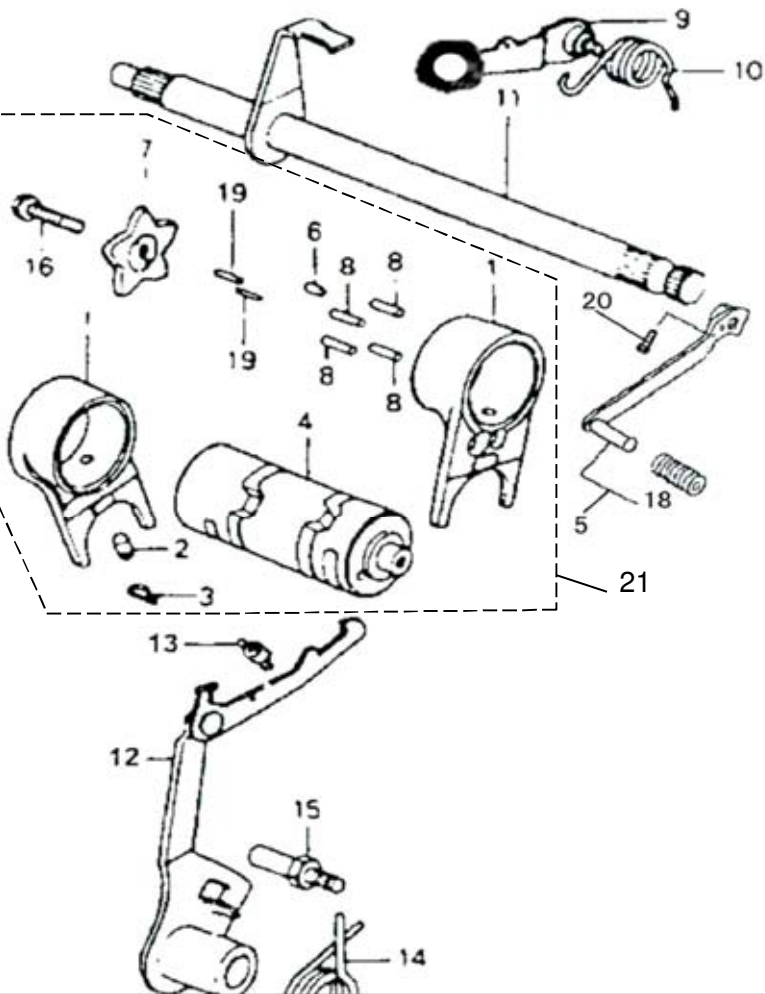


14、机油泵总成 OIL PUMP ASSY

序号 NO.	零部件代号 PART NO.	零部件名称	Part Name And Standard
1	15100-F23-0000	机油泵组件	OIL PUMP ASSY
2	15101-F23-0000	机油泵密封垫	OIL PUMP WASHER
3	15102-F23-0000	机油泵体	OIL PUMP BODY
4	15103-F23-0000	机油泵盖	OIL PUMP COVER
5	15104-F23-0000	机油泵内转子	ROTOR OIL PUMP INNER
6	15105-F23-0000	机油泵外转子	ROTOR OIL PUMP OUTER
7	15106-F23-0000	机油泵轴	SHAFT OIL PUMP
8	15107-F23-0000	机油泵轴套	SHAFT OIL PUMP COVER
9	15108-F23-0000	机油过滤网	FILTER NET , OIL PUMP ASSY
10	GB/T823-1986	螺钉 M5×10	SCREW M5×10
11	GB/T823-1986	螺钉 M5×16	SCREW M5×16
12	GB/T823-1986	螺钉 M5×22	SCREW M5×22

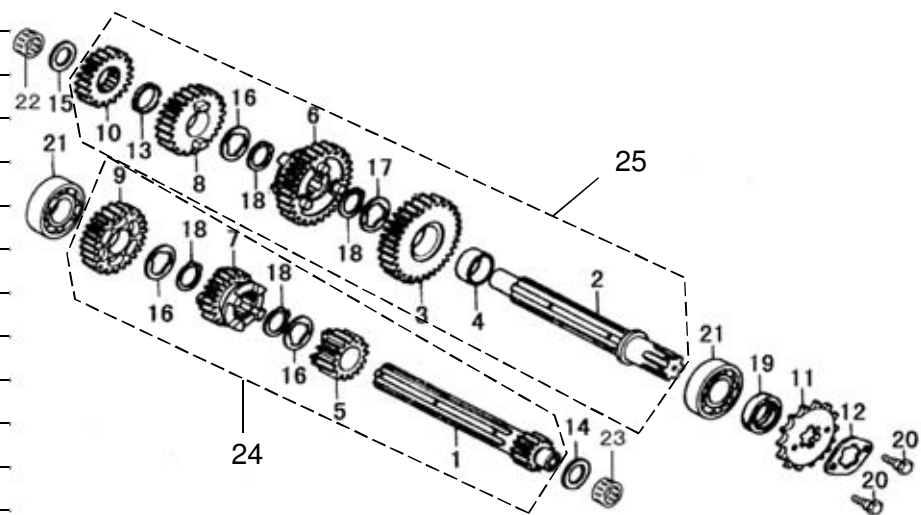
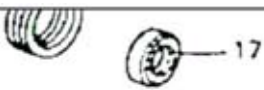


15、变速鼓GEAR DRUM



序号 NO.	零部件代号 PART NO.	零部件名称	Part Name And Standard
1	23101-F23-0000	变速拨叉	GEARSHIFT FORK
2	23102-F23-0000	销	PIN
3	23103-F23-0000	卡簧	BLOCK SPRING
4	23201-F23-0000	变速鼓	GEARBOX DRUM
5	23400-F23-0000	换档臂	GEARSHIFT ARM
6	23104-F23-0000	销4×10	PIN4×10
7	23105-F23-0000	变档拨板	FIVE STAR BOARD
8	23106-F23-0000	销4×12	PIN 4×12
9	23305-F23-0000	限位板组件	LIMITED BOARD ASSY
10	23306-F23-0000	复位弹簧	REBOUND SPRING
11	23300-F23-0000	换档轴	GEARSHIFT SHAFT
12	23301-F23-0000	换档臂组件	GEARSHIFT ARM ASSY
13	23302-F23-0000	复位弹簧	RETURN SPRING
14	23303-F23-0000	扭簧	TORSION SPRING
15	23304-F23-0000	定位螺栓	FIXED BOLT
16	23107-F23-0000	螺栓M6×20	BOLT M6×20
17	91103-F23-0000	油封 11.6× 24×10	OIL SEAL 11.6×24×10
18	23305-F23-0000	橡胶套	GUM COVER
19	23108-F23-0000	销4×8.5	PIN 4×8.5
20	23306-F23-0000	螺钉M6×20	SCREW M6×20
21	23202-F24-0000	变速鼓组件	Drum speed components

16、主副轴MAIN&DRIVE SHAFT				
序号 NO.	零部件代号 NO.	PART NO.	零部件名称	Part Name And Standard
1	22101-F23-0000		主轴	MAIN SHAFT
2	22201-F23-0000		副轴	DRIVE SHAFT
3	22202-F23-0000		从动一档齿轮	GEAR , 1ST GEAR
4	22206-F23-0000		衬套17×20×9	BUSH 17×20×9
5	22102-F23-0000		主动二档齿轮	MAIN GEAR2
6	22203-F23-0000		从动二档齿轮	GER , 2ED GEAR
7	22103-F23-0000		主动三档齿轮	MAIN GEAR3
8	22204-F23-0000		从动三档齿轮	GER , 3TH GEAR
9	22104-F23-0000		主动四档齿轮	MAIN GEAR4
10	22205-F23-0000		从动四档齿轮	GER , 4TH GEAR
11	22401-F23-0000		主动链轮	DRIVE SPROCKET
12	22402-F23-0000		主动链轮固定板	DRIVE SPROCKET FIRM PLATE
13	22207-F23-0000		垫圈17×25.7×1	RING 17×25.7×1
14	22105-F23-0000		垫圈14×26×0.5	RING 14×26×0.5
15	22208-F23-0000		垫圈14×25.5×0.5	RING 14-25.5×0.5
16	22209-F23-0000		花键铜垫21×1	SPLINE COPPER PAD
17	22210-F23-0000		花键垫圈23×1	SPLINE PAD
18	22211-F23-0000		挡圈16	CIRCLIP
19	91104-F23-0000		油封17×29×5	OIL SEAL
20	GB/T5783-2000	M6×8	螺栓M6×8	BOLT M6×8
21	GB/T276-1994		轴承6203	BEARING6203
22	22106-F23-0000		滚针轴承NK1412	BEARING DEEDLE NK1412
23	22212-F23-0000		滚针轴承NK13.5	BEARING DEEDLE NK13.5
24	22108-F23-0000		主轴组件	MAIN SHAFT ASSY
25	22215-F23-0000		副轴组件	DRIVE SHAFT ASSY
17、启动机构STARTING SYSTEM				
序号 NO.	零部件代号 NO.	PART NO.	零部件名称	Part Name And Standard
1	24101-F23-0000		启动齿轮	STARTING GEARING
2	24102-F23-0000		启动棘轮	TART RATCHER



	3	24103-F23-0000	启动轴	STARTING BEARING	
	4	24104-F23-0000	弹簧	SPRING	
	5	24105-F23-0000	棘轮弹簧座	GEARING SPRING SEAT	
	6	24106-F23-0000	棘轮导向板	RATCHER GUIDE PLATE ASSY	
	7	24107-F23-0000	启动轴复位弹簧	PLATE KICK RETURN STOPPER	
	8	24108-F23-0000	启动轴弹簧座	GEARING SPRING SEAT	
	9	24109-F23-0000	螺栓M6×20	BOLT M6×20	
	10	24110-F23-0000	垫圈	WASHER	
	11	24111-F23-0000	垫圈	WASHER	
	12	24112-F23-0000	挡圈	CIRCLIP	
	13	24113-F23-0000	挡圈	CIRCLIP	
	14	24202-F23-0000	启动蹬杆胶套	STARTING SHAFT GUM COVER	
	15	GB/T5783-2000	螺栓M6×25	BOLT M6×25	
	16	24201-F23-0000	启动蹬杆	START ROD ASSY	
	17	91105-F23-0000	油封13.8×24×5	OIL SEAL 13.8×24×5	
	18	24100-F23-0000	启动轴组件	STARTING BEARING ASSY	