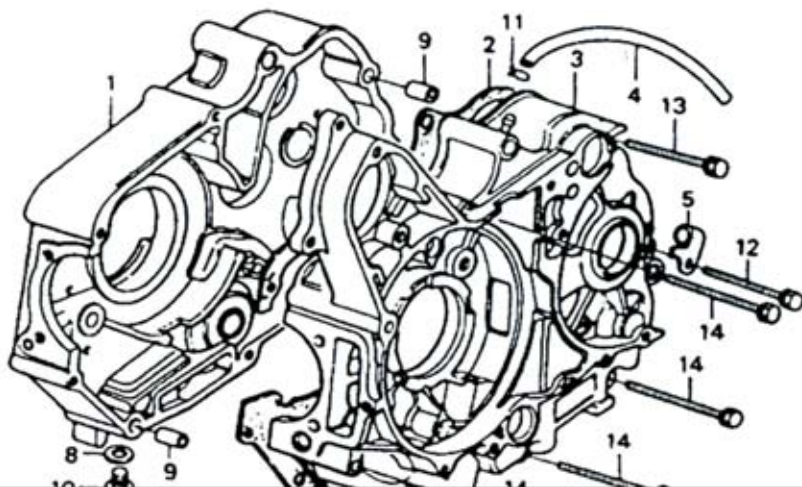


5	91205-F23-0000	进气管密封垫	VALVE O-RING
6	92401-F23-0000	矩型衬套11.5×9×1.5	BUSHING 11.5×9×1.5
7	91206-F23-0000	化油器隔热垫	INSULATOR,IN PIPE
8	14800-F23-0000	进气管	INTAKE VALVE TUBE
9	GB/T899-1988	双头螺栓M6×35	SCREW M6×35
10	GB/T5783-2000	螺栓M6×20	SCREW M6×20
11	92402-F23-0000	翻边衬套	BUSHING
12	91602-F23-0000	矩型密封圈14.5×18.5×2.5	RING 14.5×18.5×2.5
13	91603-F23-0000	O型密封圈	O-RING25×2.4
14	91604-F23-0000	矩型密封圈9×11.5×1.5	RING 9×11.5×1.5
15	91605-F23-0000	O型密封圈30.8×3	O-RING 30.8×3
16	GB/T16674-1996	螺栓M6×25	SCREW M6×25
17	GB/T16674-1996	螺栓M6×28	SCREW M6×28
18	12101-F24-0000	气缸体	CYLINDER
19	91207-F23-0000	气缸体密封垫	CASKET CYLINDER
20	91606-F23-0000	矩型密封圈11.5×16×2.5	RING 11.5×16×2.5
21	90801-F23-0000	定位销8×14	PIN DOWEL 8×14

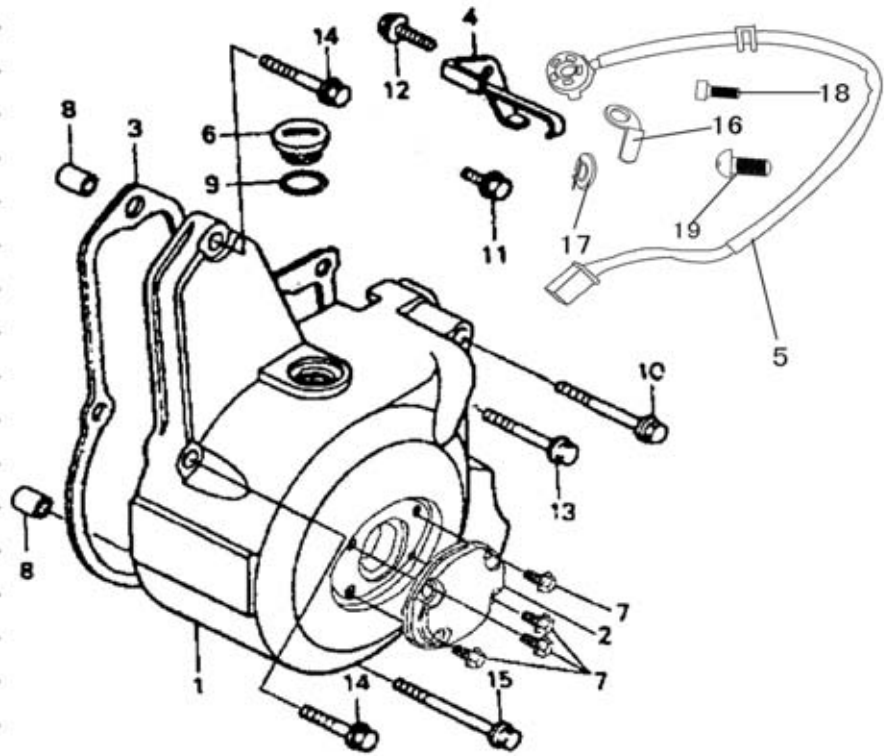
### 3、曲轴箱组件CRANKCASE ASSY



序号 NO.	零部件代号 PART NO.	零部件名称 及规格	Part Name And Standard
1	11000-F24-0000	右曲轴箱体	CRANKCASE ASSY R
2	91208-F23-0000	曲轴箱密封垫	GASKET COVER
3	11200-F24-0000	左曲轴箱体	CRANKCASE ASSY L
4	18601-F23-0000	通气管5×320	TUBE BREATHER 5×320
5	91501-F23-0000	管夹	TUBE CLIP
6	90101-F24-0000	B栓M7×194	BOLT STUP M7×194
7	90102-F24-0000	A栓M7×202	BOLT STUP M7×202
8	90604-F23-0000	铝垫圈12.5×20	ALUMINUM PLATE
9	90802-F23-0000	定位销10×14	PIN DOWEL 10×14
10	GB/T5789-1986	放油螺塞M12×10	SCREW M12
11	91502-F23-0000	卡圈	PLATE

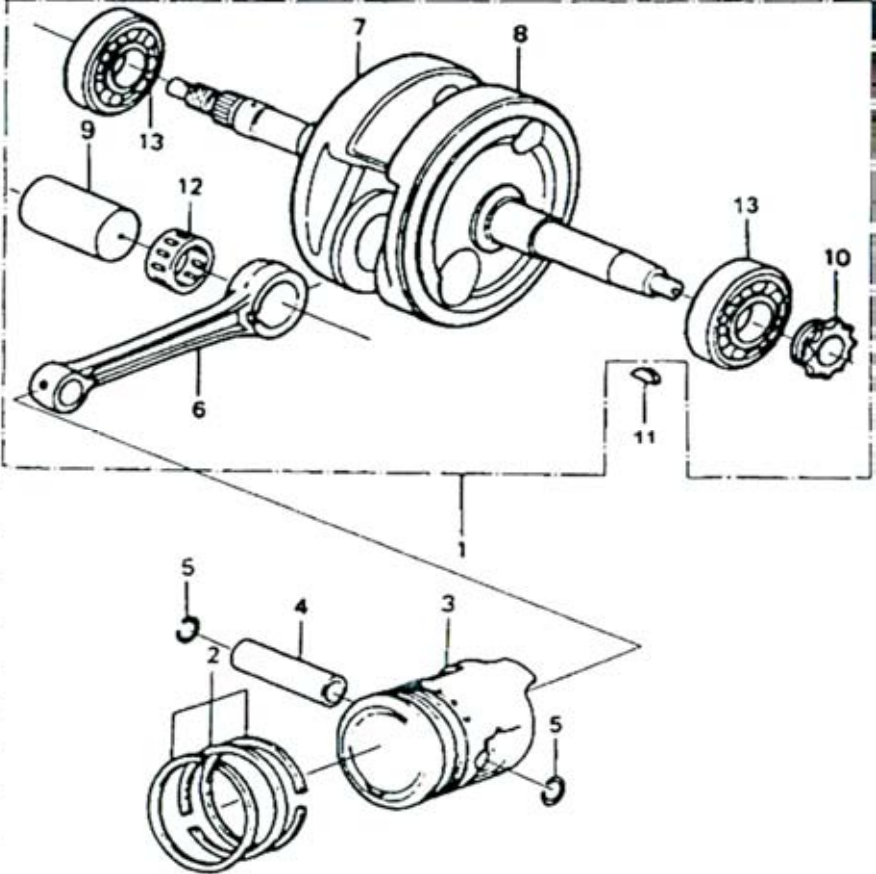


5、左前盖FRONT COVER L



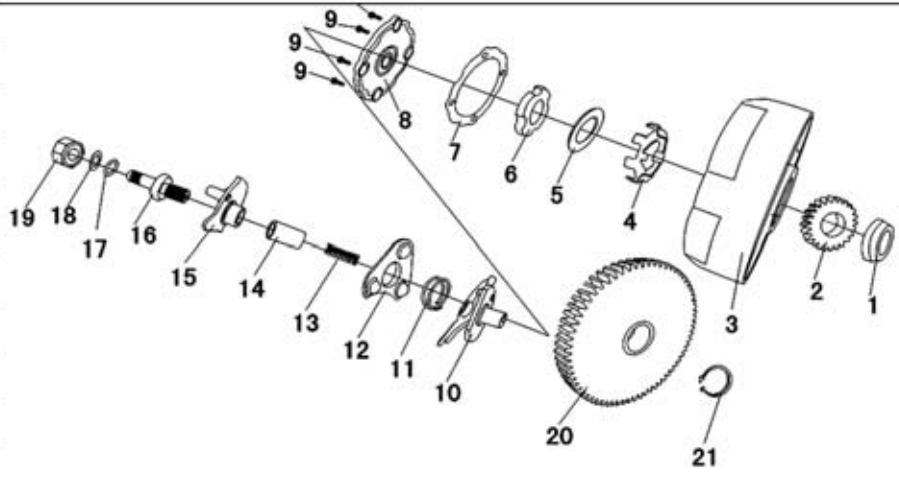
序号 NO.	零部件代号 PART NO.	零部件名称 及规格	Part Name And Standard
1	11301-F23-0000	左前盖	FRONT COVER L
2	11302-F23-0000	左前盖装饰盖	DECORATE FRONT COVER L
3	11210-F23-0000	左前盖密封垫	COVER
4	91503-F23-0000	线夹	CLIP
5	31103-F23-0000	档位显示线组件	INDICATOR ASSY
6	11325-F23-0000	上视孔盖	HAND HOLE COVER
7	GB/T16674-1996	螺栓M6×12	BOLT M6×12
8	90803-F23-0000	定位销 8×12	PIN DOWEL 8×12
9	91607-F23-0000	O型密封圈13.8×2.5	O-RING 13.8×2.5
10	GB/T16674-1996	螺栓M6×50	BOLT M6×50
11	GB/T16674-1996	螺栓M6×12	BOLT M6×12
12	GB/T16674-1996	螺栓M6×16	BOLT M6×16
13	GB/T16674-1996	螺栓M6×28	BOLT M6×28
14	GB/T16674-1996	螺栓M6×35	BOLT M6×35
15	GB/T16674-1996	螺栓M6×70	BOLT M6×70
16	31104-F23-0000	压线板	WIRE COVER
17	37180-F23-0000	触发开关	START SWITCH
18	GB/T70.1-2000	螺钉M6×16	SCREW M6×16
19	GB/T823-1988	螺钉M6×12	SCREW M6×12

6、曲轴连杆总成CRANK CONECTING ROD

	序号 NO.	零部件代号 PART NO.	零部件名称 及规格	Part Name And Standard
	1	13000-F24-0000	曲轴连杆总成	CRANKSHAFT CONNECTER ASSY
	2	13120-F24-0000	活塞环组件	PISTON RING
	3	13101-F24-0000	活塞	PISTON RING
	4	13111-F24-0000	活塞销	PISTON PIN
	5	91301-F24-0000	活塞销挡圈	PISTON PIN RING
	6	13330-F24-0000	连杆	CONNECTER
	7	13320-F24-0000	右曲柄	CRANKSHAFT STEM R
	8	13310-F24-0000	左曲柄	CRANKSHAFT STEM L
	9	13340-F24-0000	曲柄销	PIN CRANKSHAFT STEM
	10	22405-F24-0000	正时主动链轮	TIMING DRIVING GEAR
	11	13201-F24-0000	半圆键	WOODRUFF KEY
	12	92301-F24-0000	滚针轴承	BEARING DEEDLE
	13	GB/T276-1994	轴承6304	BEARING6304

7、离合器CLUTCH

	序号 NO.	零部件代号 PART NO.	零部件名称 及规格	Part Name And Standard
	1	21101-F23-0000	轴套	CRANK COVER
	2	21102-F23-0000	主动齿轮	DRIVING GEAR
	3	21103-F24-0000	离合器组件	CLUTCH SAAY
	4	21104-F23-0000	锁紧垫圈	LOCKED RING
9	5	21105-F23-0000	蝶形垫圈	BUTTERFLY SHAPED RING

	6	21106-F23-0000	圆螺母	NUT	
	7	21107-F23-0000	离合器端盖密封垫	CLUTCH COVER	
	8	21108-F23-0000	离合器端盖组件	CLUTCH COVER ASSY	
	9	GB/T819.2-1997	沉头螺钉M5×12	BOLT M5×12	
	10	21109-F23-0000	B板组件	B ASSY	
	11	21110-F23-0000	升降板弹簧	SPRING RISE AND UP	
	12	21111-F23-0000	升降板组件	ELEVATOR ASSY	
	13	21112-F23-0000	通油导管弹簧	SPRING OIL TUBE	
	14	21113-F23-0000	通油导管	OIL TUBE	
	15	21114-F23-0000	A板组件	A ASSY	
	16	21115-F23-0000	调节螺栓	ADJUSTING BOLT	
	17	91608-F23-0000	O形密封圈7×1.75	O-RING 7×1.75	
	18	90605-F23-0000	铁垫φ8×2	IRON RING 8×2	
	19	GB/T6171-2000	锁紧螺母	LOCKED NUT	
	20	21300-F23-0000	从动齿轮	GEAR KICK DRIVEN	
	21	90701-F23-0000	挡圈	CIRCKIP	

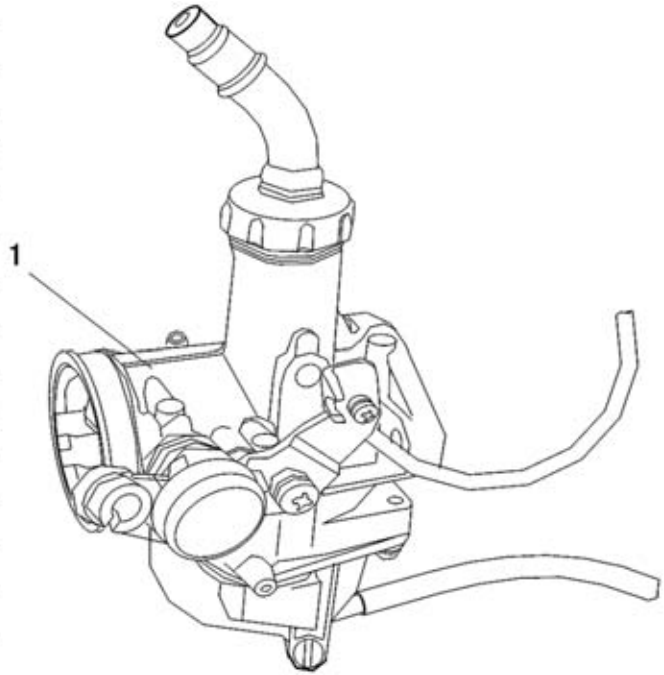
#### 8、凸轮轴组件、气门CRANKSHAFT,VALVE

序号 NO.	零部件代号 PART NO.	零部件名称 及规格	Part Name And Standard
1	12209-F24-0000	挡油罩	OIL PROTECTED COVER
2	14100-F23-0000	凸轮轴组件	CAMSHAFT COMP
3	14433-F24-0000	气门锁紧螺母	NUT TAPPET ADJUSTING
4	14430-F23-0000	气门摇臂	ARM VALVE ROCKER
5	14451-F24-0000	摇臂轴	SHAFT ROCKER ARM
6	14711-F24-0000	进气门	VALVE IN
7	14721-F24-0000	排气门	VALVE EX
8	14751-F24-0000	气门外弹簧	SPRING VALVE OUTER
9	14761-F24-0000	气门内弹簧	SPRING VALVE INNER
10	14771-F24-0000	气门锁夹座	SEAT VALVE SPRING OUTER
11	14775-F24-0000	气门弹簧座圈	COVER RING
12	14781-F24-0000	气门锁夹	COTTER VALVE




**10、化油器CARBURETOR**

	序号 NO.	零部件代号 PART NO.	零部件名称 及规格	Part Name And Standard
	1	16100-F24-0000	化油器组件PZ25	CARBURETOR PZ25



**11、磁电机总成MAGINE TOELE TRYCITY MACHINE**

	序号 NO.	零部件代号 PART NO.	零部件名称 及规格	Part Name And Standard
--	-----------	-------------------	--------------	------------------------

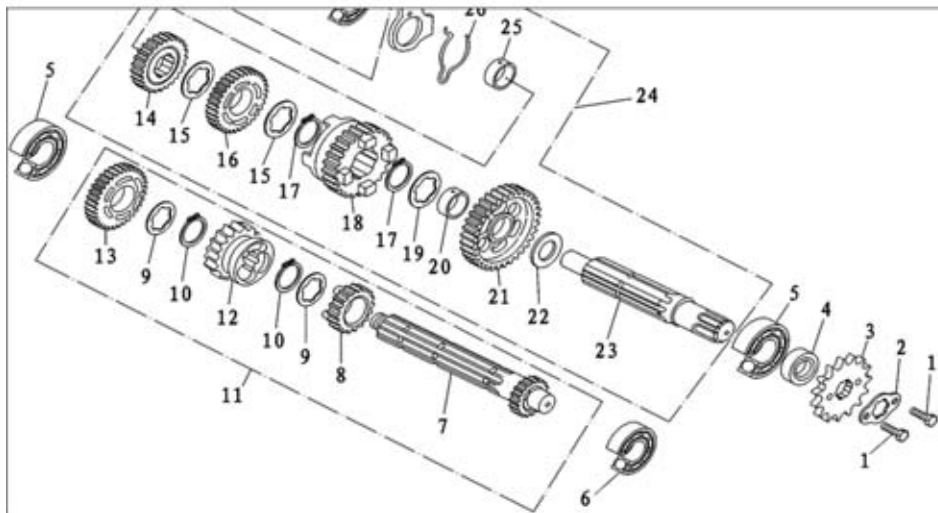




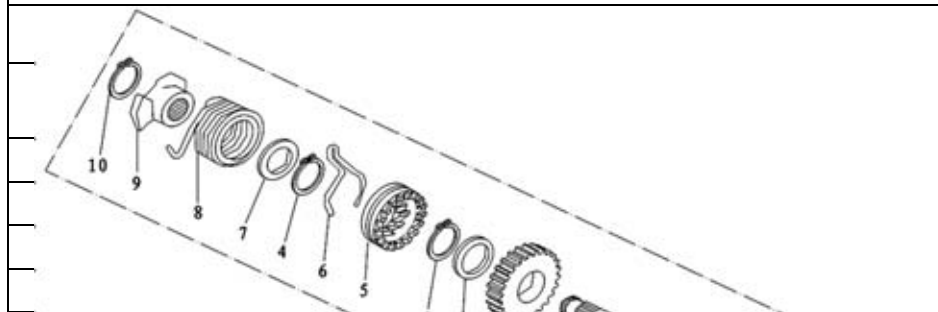








2	22402-F23-0000	主动链轮固定板	MAIN DRIVING GEAR FIXED BOARD
3	22401-F23-0000	主动链轮	MAIN DRIVING GEAR
4	91104-F23-0000	油封17×29×5	OIL SEAL 17×29×5
5	GB/T276-1994	滚动轴承6203	ROLLING BEAR6203
6	GB/T276-1994	滚动轴承6001	ROLLING BEAR6001
7	22101-F24-0000	主轴	MAIN SHAFT
8	22102-F24-0000	主轴二档齿轮	MAIN GEAR2
9	22105-F24-0000	花键垫圈17	FLOWER KEY COPPER WASHER 17
10	22106-F24-0000	挡圈17	COVER 17
11	22100-F24-0000	主轴组合	MAIN SHAFT ASSY
12	22103-F24-0000	主轴三档齿轮	MAIN GEAR3
13	22104-F24-0000	主轴四档齿轮	MAIN GEAR4
14	22205-F24-0000	副轴四档齿轮	GEAR KICK DRIVEN 4
15	22206-F24-0000	花键垫圈20	FLOWER KEY COPPER WASHER 20
16	22204-F24-0000	副轴三档齿轮	GEAR KICK DRIVEN 3
17	22207-F24-0000	挡圈20	COVER 20
18	22203-F24-0000	副轴二档齿轮	GEAR KICK DRIVEN 2
19	22208-F24-0000	花键垫圈20	FLOWER KEY COPPER WASHER 20
20	22209-F24-0000	衬套20×9	WASHER 20×9
21	22202-F24-0000	副轴一档组合	GEAR KICK DRIVEN 1
22	22210-F24-0000	止推垫圈17	WASHER17
23	22201-F24-0000	副轴	DRIVE SHAFT
24	22200-F24-0000	副轴组合	DRIVE SHAFT ASSY
25	22211-F24-0000	衬套	WASHER
26	22212-F24-0000	阻尼弹簧	STOPPED SPRING
27	22213-F24-0000	变速鼓限位板	LIMITED BOARD ASSY
28	GB/T276-1994	滚动轴承6201	ROLLING BEAR6201



17、启动机构STARTING SYSTEM			
序号 NO.	零部件代号 PART NO.	零部件名称 及规格	Part Name And Standard
1	24101-F24-0000	起轴	STARTING BEARING
2	24102-F24-0000	启动齿轮	STARTING GEARING
3	24103-F24-0000	止推垫圈20	WASHER20
4	24104-F24-0000	挡圈20	COVER20

