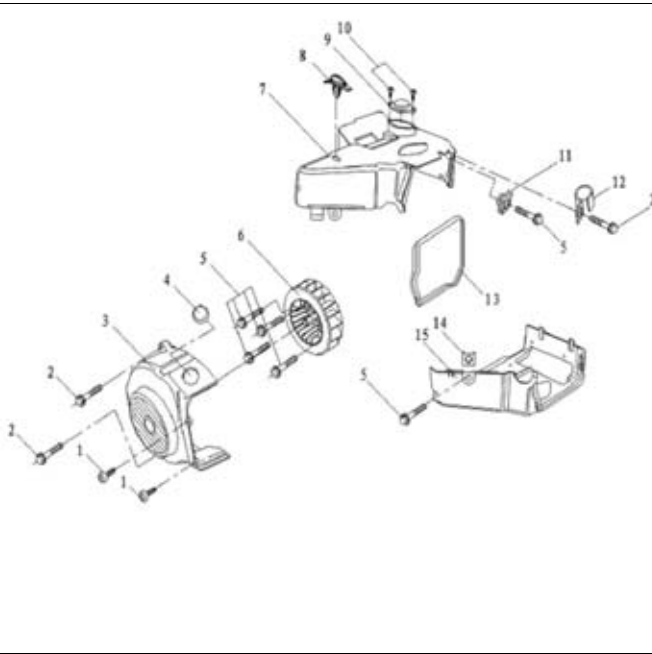


HS50QT-12 PARTS PRICE LIST

图1 风扇及导风系统分总成

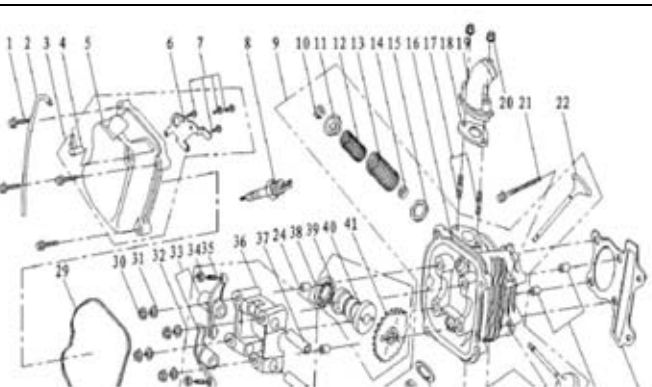
FAN AND WIND LEADING COMP.



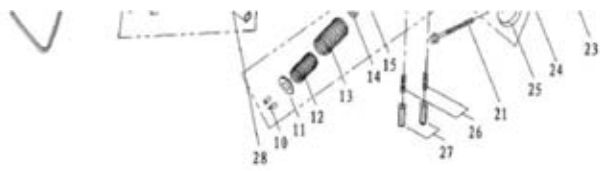
| 型号 TOTAL NO | 序号 NO | 零件编号 PQRT NO | 中文名称 CHINESE NAME | 英文名称 ENGLISH NAME |
|----------------|----------|---------------|-------------------------|-------------------------|
| HS1P39QME | 1 | GB/T845-85 | 自攻螺钉ST4.8×16 | SCREW ST4.8*16 |
| HS1P39QME | 2 | GB/T845-85 | 螺栓M6×25 | BOLT M6*25 |
| HS1P39QME | 3 | 1P39QMB-00101 | 导风罩 | COVER,WIND LEADING |
| HS1P39QME | 4 | 1P39QMB-00102 | 橡胶塞 | BOUNG,RUBBER |
| HS1P39QME | 5 | GB/T5787-86 | 螺栓M6×16 | BOLT M6*16 |
| HS1P39QME | 6 | 1P39QMB-00103 | 风扇 | FAN |
| HS1P39QME | 7 | 1P39QMB-00104 | 上罩盖 | UPER COVER |
| HS1P39QME | 8 | 1P39QMB-00105 | 塑料管夹 | CLIP,PLASTICS TUBE |
| HS1P39QME | 9 | 1P39QMB-00106 | 调整器盖 | COVER,CONTROLS |
| HS1P39QME | 10 | GB/T845-85 | 自攻螺钉ST2.9×8 | SCREW ST2.9*8 |
| HS1P39QME | 11 | 1P39QMB-00006 | 板簧螺母 | SCREW NUT,BLAND SPRING |
| HS1P39QME | 12 | 1P39QMB-00107 | 溢流管夹A | CLIP TUDE |
| HS1P39QME | 13 | 1P39QMB-00108 | 罩盖密封圈 | SEAL THROUD |
| HS1P39QME | 14 | 1P39QMB-00109 | 板簧螺母 | SCREW NUT,BLAND SPRING |
| HS1P39QME | 15 | 1P39QMB-00111 | 下罩盖 | BOTTOM COVER |

图2 气缸盖分总成

HEADER COVER COMP



| 型号 TOTAL NO | 序号 NO | 零件编号 PQRT NO | 中文名称 CHINESE NAME | 英文名称 ENGLISH NAME |
|----------------|----------|------------------|-------------------------|-------------------------|
| HS1P39QME | 1 | GB/T5787-86 | 螺栓M6×25 | BOLT M6*25 |
| HS1P39QME | 2 | 1P39QMB-00201 | 通气管组件 | TUBE ASSY.,BREATHER |
| HS1P39QME | 3 | 1P39QMB-00210 | 缸盖罩组件 | COVER ASSY.,HEAD |
| HS1P39QME | 4 | 1P39QMB-00210-01 | 管接头 | BOND, TUBE |
| HS1P39QME | 5 | 1P39QMB-00210-02 | 缸盖罩 | COVER,HEAD |
| HS1P39QME | 6 | 1P39QMB-00210-03 | 盖板 | PLATE,CAP |
| HS1P39QME | 7 | GB/T818-88 | 十字盘头螺钉M5×8 | SCREW M5*8 |
| HS1P39QME | 8 | 1P39QMB-00211 | 火花塞 | SPARK PLUG |



| | | | | |
|-----------|----|------------------|------------|----------------------------|
| HS1P39QME | 9 | 1P39QMB-00220 | 气缸盖组合 | HEAD COMP., CYLINDER |
| HS1P39QME | 10 | 1P39QMB-00220-01 | 气门锁夹 | COTTER VALVE |
| HS1P39QME | 11 | 1P39QMB-00220-02 | 气门上弹簧座 | RETAINER, VALVE SPRING |
| HS1P39QME | 12 | 1P39QMB-00220-03 | 气门内弹簧 | SPRING, VALVE INNER |
| HS1P39QME | 13 | 1P39QMB-00220-04 | 气门外弹簧 | SPRING, VALVE OUTER |
| HS1P39QME | 14 | 1P39QMB-00220-05 | 气门杆油封 | SEAT, VALVE STEM |
| HS1P39QME | 15 | 1P39QMB-00220-06 | 气门下弹簧座 | SEAT, SPRING |
| HS1P39QME | 16 | 1P39QMB-00220-07 | 气缸盖组件 | COVER HEAD ASSY., CYLINDER |
| HS1P39QME | 17 | 125-T0010-011 | 双头螺柱M6×62 | BOLT STUD M6*62 |
| HS1P39QME | 18 | 1P39QMB-00221 | 隔热体组件 | INSULATOR CARB ASSY. |
| HS1P39QME | 19 | 1P39QMB-00222 | 进气管组合 | PIPE ASSY., INLET |
| HS1P39QME | 20 | GB/T6177.1-2000 | 螺母M6 | NUT M6 |
| HS1P39QME | 21 | GB/T5787-86 | 螺栓M6×85 | BOLT M6*85 |
| HS1P39QME | 22 | 1P39QMB-00223 | 排气门 | VALVE EXHAUST |
| HS1P39QME | 23 | 1P39QMB-00224 | 气缸盖垫片 | GASKET, CYLINDER HEAD |
| HS1P39QME | 24 | GB/T119.1-2000 | 定位销Φ8×14 | PIN DOWEL 8*14 |
| HS1P39QME | 25 | 1P39QMB-00225 | 进气门 | VALVE INLET |
| HS1P39QME | 26 | 125-T0010-011 | 双头螺柱M6×32 | BOLT STUD M6*32 |
| HS1P39QME | 27 | 125-T0010-02 | 盖形螺母M6 | NUT M6 |
| HS1P39QME | 28 | 1P39QMB-00226 | 排气门摇臂轴 | SHAFT EXH ROCKER ARM |
| HS1P39QME | 29 | 1P39QMB-00227 | 缸盖罩密封圈 | RING, HEADER COVER SHROUD |
| HS1P39QME | 30 | 1P39QMB-00228 | 缸盖螺母M7 | NUT, M7 |
| HS1P39QME | 31 | GB/T97.1-85 | 垫圈 Φ7 | WASHER Φ7 |
| HS1P39QME | 32 | 1P39QMB-00230 | 凸轮轴固定座组合 | HOLDER ASSY., CAM SHAFT |
| HS1P39QME | 33 | 1P39QMB-00230-01 | 气门摇臂 | ARM VALVE ROCKER |
| HS1P39QME | 34 | 1P39QMB-00230-02 | 气门调整螺母 | NUT |
| HS1P39QME | 35 | 1P39QMB-00230-03 | 气门调整螺钉 | SCREW |
| HS1P39QME | 36 | 1P39QMB-00230-04 | 凸轮轴固定座 | HOLDER, CAM SHAFT |
| HS1P39QME | 37 | 1P39QMB-00230-05 | 进气门摇臂轴 | SHAFT IN ROCKER ARM |
| HS1P39QME | 38 | 1P39QMB-00240 | 凸轮轴组合 | SHAFT COMP., CAM |
| HS1P39QME | 39 | 1P39QMB-00240-01 | 深沟球轴承16002 | AXLE BEARING 16002 |
| HS1P39QME | 40 | 1P39QMB-00240-02 | 凸轮轴 | SHAFT, CAM |
| HS1P39QME | 41 | 1P39QMB-00240-03 | 从动链轮 | CHAIN GEAR, DRIVEN |

图3 气缸体分总成

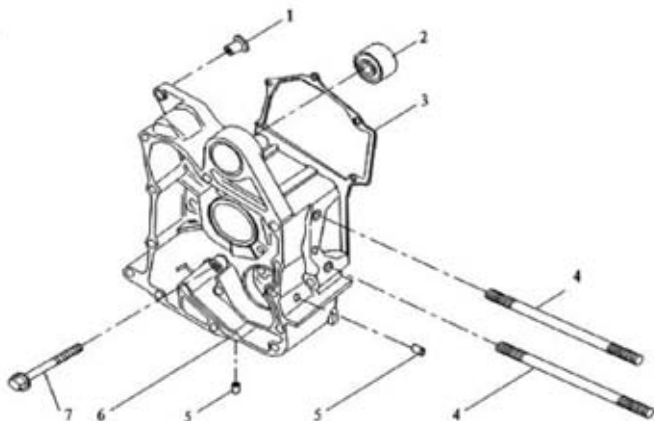
CYLINDER HEAD COMP

| 型号 TOTAL NO | 序号 NO | 零件编号 PQRT NO | 中文名称 | CHINESE | 英文名称 | ENGLISH NAME |
|----------------|----------|----------------|----------------|----------------------------|----------------------------|--------------|
| | | | NAME | | NAME | |
| HS1P39QME | 1 | 1P39QMB-00301 | 涨紧板螺栓 | BOLT,PIVOT CHAIN TENSIONER | BOLT,PIVOT CHAIN TENSIONER | |
| HS1P39QME | 2 | GB/T97.1-85 | 垫圈Φ15×1.5 | O-RING Φ15*1.5 | O-RING Φ15*1.5 | |
| HS1P39QME | 3 | 1P39QMB-00302 | 涨紧板 | TENSIONER CHAIN | TENSIONER CHAIN | |
| HS1P39QME | 4 | 1P39QMB-00303 | 正时链条 (82×2×3) | CHAIN,TIMER (82×2×3) | CHAIN,TIMER (82×2×3) | |
| HS1P39QME | 5 | 1P39QMB-00304 | 正时链条导向板 | GUIDE COMP,CHAIN | GUIDE COMP,CHAIN | |
| HS1P39QME | 6 | GB/T5787-86 | 螺栓M6×18 | BOLT M6*18 | BOLT M6*18 | |
| HS1P39QME | 7 | 1P39QMB-00305 | 气缸体组件 | CYLINDER ASSY. | CYLINDER ASSY. | |
| HS1P39QME | 8 | 1P39QMB-00306 | 链条调整器 | ADJUST,CHAIN | ADJUST,CHAIN | |
| HS1P39QME | 9 | 1P39QMB-00307 | 调整器垫片 | GASKET,CHAIN ADJUST | GASKET,CHAIN ADJUST | |
| HS1P39QME | 10 | GB/T119.1-2000 | 定位销Φ8×14 | PIN,DOWEL Φ8*14 | PIN,DOWEL Φ8*14 | |
| HS1P39QME | 11 | 1P39QMB-00308 | 气缸体垫片 | GASKET,CYLINDER | GASKET,CYLINDER | |

图4 右盖分总成
COVER COMP.,R.

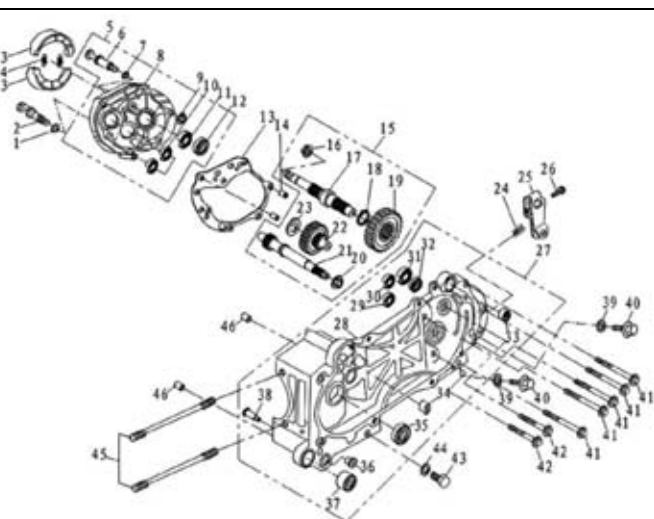
| 型号 TOTAL NO | 序号 NO | 零件编号 PQRT NO | 中文名称 | CHINESE | 英文名称 | ENGLISH NAME |
|----------------|----------|----------------|--------------|-----------------------------|-----------------------------|--------------|
| | | | NAME | | NAME | |
| HS1P39QME | 1 | 1P39QMB-00401 | 机油标尺组合 | GAUGE ASSY., OIL LEVEL | GAUGE ASSY., OIL LEVEL | |
| HS1P39QME | 2 | 1P39QMB-00402 | 机油标尺 | GAUGE,OIL LEVEL | GAUGE,OIL LEVEL | |
| HS1P39QME | 3 | 1P39QMB-00403 | O形圈Φ18×3 | O-RING Φ18*3 | O-RING Φ18*3 | |
| HS1P39QME | 4 | 1P39QMB-00404 | 油封Φ16.4×30×5 | OIL SEAL Φ16.4*30*5 | OIL SEAL Φ16.4*30*5 | |
| HS1P39QME | 5 | GB/T119.1-2000 | 定位销Φ8×14 | PIN,DOWELΦ8×14 | PIN,DOWELΦ8×14 | |
| HS1P39QME | 6 | 1P39QMB-00405 | 右盖垫片 | GASKET,R. CRANKCASE COVER | GASKET,R. CRANKCASE COVER | |
| HS1P39QME | 7 | 1P39QMB-00406 | 右盖 | COVER,R. CRANKCASE ASSY., | COVER,R. CRANKCASE ASSY., | |
| HS1P39QME | 8 | 1P39QMB-00407 | 滤油网 | SCREEN,OIL FILTER | SCREEN,OIL FILTER | |
| HS1P39QME | 9 | 1P39QMB-00408 | 滤油弹簧 | SPRING,OIL FILTER SCREEN | SPRING,OIL FILTER SCREEN | |
| HS1P39QME | 10 | 1P39QMB-00409 | 滤油盖组合 | CAP ASSY.,OIL FILTER SCREEN | CAP ASSY.,OIL FILTER SCREEN | |
| HS1P39QME | 11 | 1P39QMB-00411 | O形圈Φ30×3 | O-RING 30*3 | O-RING 30*3 | |
| HS1P39QME | 12 | 1P39QMB-00412 | 滤油盖 | CAP , OIL FILTER SCREEN | CAP , OIL FILTER SCREEN | |
| HS1P39QME | 13 | GB/T5787-86 | 螺栓M6×100 | BOLT M6*100 | BOLT M6*100 | |
| HS1P39QME | 14 | GB/T5787-86 | 螺栓M6×85 | BOLT M6*85 | BOLT M6*85 | |

图5 右箱体分总成
CRANKCASE COMP.,R.



| 型号 TOTAL NO | 序号 NO | 零件编号 PQRT NO | 中文名称 CHINESE NAME | 英文名称 ENGLISH NAME |
|----------------|----------|---------------|-------------------|---------------------------|
| HS1P39QME | 1 | 1P39QMB-00501 | 支承套 | BEARING COLLAR |
| HS1P39QME | 2 | 1P39QMB-00502 | 大减震套 | BUSH,EDGING HANGER RUBBER |
| HS1P39QME | 3 | 1P39QMB-00503 | 曲轴箱垫片 | GASKET, CRANKCASE R. |
| HS1P39QME | 4 | 125-T0010-011 | 双头螺柱M7×168 | BOLT,STUD M7*168 |
| HS1P39QME | 5 | 1P39QMB-00504 | 堵头 | PLUG,OIL |
| HS1P39QME | 6 | 1P39QMB-00505 | 右箱体组件 | CRANKCASE ASSY.,R |
| HS1P39QME | 7 | GB/T5787-86 | 螺栓M6×45 | BOLT M6*45 |

图6 左箱体分总成
CRANKCASE COMP., L.



| 型号 TOTAL NO | 序号 NO | 零件编号 PQRT NO | 中文名称 CHINESE NAME | 英文名称 ENGLISH NAME |
|----------------|----------|------------------|-------------------|------------------------------|
| HS1P39QME | 1 | 1P39QMB-00601 | O形圈Φ11.3×1.3 | O-RING Φ11.3*1.3 |
| HS1P39QME | 2 | 1P39QMB-00602 | 刹车凸轮 | BRAKE CAMSHAFT |
| HS1P39QME | 3 | 1P39QMB-00603 | 刹车蹄块组件110 | eft bake shoe 110 |
| HS1P39QME | 4 | 1P39QMB-00604 | 蹄块拉簧 | spring of breake shoe |
| HS1P39QME | 6 | 1P39QMB-00610-01 | 刹车固定销 | Axle of rocker |
| HS1P39QME | 5 | 1P39QMB-00610 | 减速箱盖组合 | PIN,BRAKE SHOE ANCHOR |
| HS1P39QME | 7 | 1P39QMB-00610-02 | O形圈Φ7.5×1.5 | O-RING Φ7.5*1.5 |
| HS1P39QME | 8 | 1P39QMB-00610-03 | 减速箱盖 | TRANSMISSION COVER |
| HS1P39QME | 9 | 1P39QMB-00610-04 | 法兰面锁紧螺母M8 | NUT,M8 |
| HS1P39QME | 10 | 1P39QMB-00610-05 | 深沟球轴承6201 | BEARING RALL RADIAL 6201 |
| HS1P39QME | 11 | 1P39QMB-00610-06 | 深沟球轴承6004-2RS | BEARING RALL RADIAL 6004-2RS |
| HS1P39QME | 12 | 1P39QMB-00610-07 | 油封Φ27×42×7 | OIL SEAL Φ27*42*7 |
| HS1P39QME | 13 | 1P39QMB-00610-08 | 齿轮室垫片 | GASKET,TRANSMISSION COVER |
| HS1P39QME | 14 | GB/T119.1-2000 | 定位销Φ10×20 | PIN,DOWEL Φ10*20 |

| | | | | |
|-----------|----|------------------|----------------|------------------------------|
| HS1P39QME | 15 | 1P39QMB-00620 | 后变速机构组合 | TRANSMISSION COMP. |
| HS1P39QME | 16 | GB/T6187-2000 | 六角法兰面螺母M16×1.5 | NUT M16×1.5 |
| HS1P39QME | 17 | 1P39QMB-00620-01 | 输出轴 | SHAFT,FINAL |
| HS1P39QME | 18 | GB/T893-86 | 挡圈Φ20 | CIRCLIP,EXTERNAL Φ20 |
| HS1P39QME | 19 | 1P39QMB-00620-02 | 输出齿轮 | GEAR, FINAL |
| HS1P39QME | 20 | GB/T6170-2000 | 螺母M10×1.25 | NUT M10*1.25 |
| HS1P39QME | 21 | 1P39QMB-00620-03 | 输入轴 | SHAFT, DRIVE |
| HS1P39QME | 22 | 1P39QMB-00620-04 | 中间齿轮轴组件 | GEAR AND SHAFT ASSY.,CENTER |
| HS1P39QME | 23 | GB/T97.1-85 | 垫圈Φ12.2×20×1.5 | WASHER Φ12.2*20*1.5 |
| HS1P39QME | 24 | 1P39QMB-00621 | 拉臂弹簧 | SPRING,BRAKE ARM |
| HS1P39QME | 25 | 1P39QMB-00622 | 刹车拉臂组件 | ARM ASSY.,RR.BRAKE |
| HS1P39QME | 26 | GB/T5787-86 | 螺栓M6×32 | BOLT M6*32 |
| HS1P39QME | 27 | 1P39QMB-00630 | 左箱体组合 | CRANKCASE COMP.,L. |
| HS1P39QME | 28 | 1P39QMB-00630-01 | 左箱体组件 | CRANKCASE ASSY.,L. |
| HS1P39QME | 29 | 1P39QMB-00630-02 | 深沟球轴承6203 | BEARING RALL RADIAL 6203 |
| HS1P39QME | 30 | 1P39QMB-00630-03 | 深沟球轴承6201 | BEARING RALL RADIAL 6201 |
| HS1P39QME | 31 | 1P39QMB-00630-04 | 深沟球轴承6203A-42 | BEARING RALL RADIAL 6203A-42 |
| HS1P39QME | 32 | 1P39QMB-00630-05 | 油封Φ20×30×5 | OIL SEAL Φ20*30*5 |
| HS1P39QME | 33 | 1P39QMB-00630-06 | 小减震套 | BUSH,RR.CUSHION UNDER RUBBER |
| HS1P39QME | 34 | 1P39QMB-00630-07 | 起动机轴套 | COLLAR,STARTER |
| HS1P39QME | 35 | 1P39QMB-00630-08 | 油封Φ17×30×6 | OIL SEAL Φ17*30*6 |
| HS1P39QME | 36 | 1P39QMB-00630-09 | 支承套 | COLLAR, BEARING |
| HS1P39QME | 37 | 1P39QMB-00630-10 | 大减震套 | BUSH,ENGING HANGER RUBBER |
| HS1P39QME | 38 | 1P39QMB-00630-11 | 固定销 | PIN,FIXUP |
| HS1P39QME | 39 | 1P39QMB-00630-12 | 放油垫片 | WASHER,DRAIN PLUG |
| HS1P39QME | 40 | GB/T5787-86 | 螺栓M8×12 | BOLT M8*12 |
| HS1P39QME | 41 | GB/T5787-86 | 螺栓M8×40 | BOLT M8*40 |
| HS1P39QME | 42 | GB/T5787-86 | 螺栓M8×35 | BOLT M8*35 |
| HS1P39QME | 43 | 125-T0010-012 | 放油螺栓 | BOLT,DRAIN PLUG |
| HS1P39QME | 44 | 1P39QMB-00630-13 | 密封垫圈 | WASHER,SEALING |
| HS1P39QME | 45 | 125-T0010-011 | 双头螺柱M7×176 | BOLT,STUD M7*176 |
| HS1P39QME | 46 | GB/T119.1-2000 | 定位销Φ8×14 | PIN,DOWEL Φ8×14 |

图7 左盖分总成

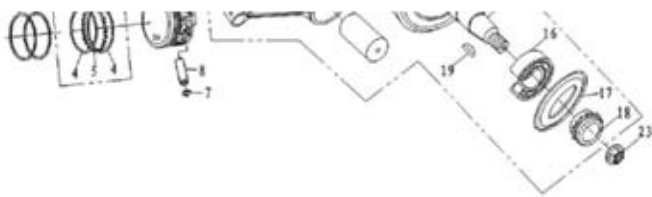
COVER COMP.,L.

| 型号 TOTAL NO | 序号 NO | 零件编号 PQRT NO | 中文名称 | CHINESE | 英文名称 | ENGLISH NAME |
|----------------|----------|------------------|-----------|------------------------------|------------------------------|--------------|
| | | | 名称 | NAME | 名称 | NAME |
| HS1P39QME | 1 | 1P39QMB-00710 | 起动机棘爪齿轮组件 | DETENT AND GEAR ASSY,STARTER | DETENT AND GEAR ASSY,STARTER | STARTER |
| HS1P39QME | 2 | 1P39QMB-00710-01 | 限位弹簧 | SPRING,KICK STARTER | SPRING,KICK STARTER | KICK STARTER |
| HS1P39QME | 3 | GB/T97.1-85 | 垫圈 | WASHER | WASHER | STARTER |
| HS1P39QME | 4 | 1P39QMB-00710-02 | 起动机棘爪 | DETENT STARTER | DETENT STARTER | STARTER |
| HS1P39QME | 5 | 1P39QMB-00710-03 | 起动机齿轮轴 | GEAR AND SHAFT, STARTER | GEAR AND SHAFT, STARTER | STARTER |
| HS1P39QME | 6 | 1P39QMB-00720 | 起动机轴组合 | SHAFT ASSY.,KICK STARTER | SHAFT ASSY.,KICK STARTER | KICK STARTER |
| HS1P39QME | 7 | 1P39QMB-00720-01 | 起动机扇齿轮组件 | SPINDLE ASSY.,KICK STARTER | SPINDLE ASSY.,KICK STARTER | KICK STARTER |
| HS1P39QME | 8 | 1P39QMB-00720-02 | 回位弹簧 | SPRING,KICK STARTER | SPRING,KICK STARTER | KICK STARTER |
| HS1P39QME | 9 | 1P39QMB-00720-03 | 衬套 | COVER | COVER | STARTER |
| HS1P39QME | 10 | GB/T97.1-85 | 垫圈 | WASHER | WASHER | STARTER |
| HS1P39QME | 11 | GB/T893-86 | 轴用挡圈Φ14 | CIRCLIP Φ14 | CIRCLIP Φ14 | STARTER |
| HS1P39QME | 12 | 1P39QMB-00720-04 | 塑料箍 | PLASTIC HOOP | PLASTIC HOOP | STARTER |
| HS1P39QME | 13 | 1P39QMB-00721 | 起动机轴套 | BUSH,STARTER | BUSH,STARTER | STARTER |
| HS1P39QME | 14 | 1P39QMB-00722 | 左盖垫片 | GASKET, COVER L. | GASKET, COVER L. | STARTER |
| HS1P39QME | 15 | 1P39QMB-00723 | 左盖 | COVER,L. | COVER,L. | STARTER |
| HS1P39QME | 16 | GB/T5787-86 | 螺栓M6×35 | BOLT M6*35 | BOLT M6*35 | STARTER |
| HS1P39QME | 17 | 1P39QMB-00730 | 脚踏杆组件 | ARM ASSY,KICK STARTER | ARM ASSY,KICK STARTER | STARTER |
| HS1P39QME | 18 | GB/T5787-86 | 螺栓M6×22 | BOLT M6*22 | BOLT M6*22 | STARTER |
| HS1P39QME | 19 | 1P39QMB-00730-01 | 刹车钢索夹 | CLAMPER,BREATHER DRAIN TUBE | CLAMPER,BREATHER DRAIN TUBE | STARTER |
| HS1P39QME | 20 | 1P39QMB-00730-02 | 节流管夹 | CLAMPER,THROTTLE CABLE | CLAMPER,THROTTLE CABLE | STARTER |

图8 活塞连杆曲轴分总成

PISTON, CONNECTING ROD AND CRANKSHAFT COMP.

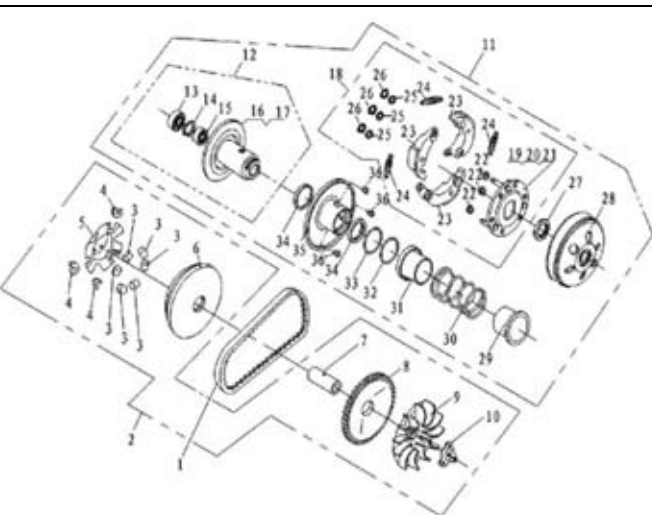
| 型号 TOTAL NO | 序号 NO | 零件编号 PQRT NO | 中文名称 | CHINESE | 英文名称 | ENGLISH NAME |
|----------------|----------|------------------|--------|----------------------------|----------------------------|--------------|
| 名称 | NAME | 名称 | NAME | 名称 | NAME | NAME |
| HS1P39QME | 1 | 1P39QMB-00801 | 第一道活塞环 | RING,PISTON(FIRST) | RING,PISTON(FIRST) | PISTON |
| HS1P39QME | 2 | 1P39QMB-00802 | 第二道活塞环 | RING,PISTON(SECOND) | RING,PISTON(SECOND) | PISTON |
| HS1P39QME | 3 | 1P39QMB-00810 | 组合油环 | RING SET ASSY.,PISTON(OIL) | RING SET ASSY.,PISTON(OIL) | PISTON |
| HS1P39QME | 4 | 1P39QMB-00810-01 | 片环 | RING SET | RING SET | PISTON |
| HS1P39QME | 5 | 1P39QMB-00810-02 | 衬环 | RING SET,LINING | RING SET,LINING | PISTON |



| | | | | |
|-----------|----|------------------|---------------|------------------------|
| HS1P39QME | 6 | 1P39QMB-00811 | 活塞 | PISTON |
| HS1P39QME | 7 | 1P39QMB-00812 | 活塞销挡圈 | CIRCLIP,PIN OF PISTON |
| HS1P39QME | 8 | 1P39QMB-00813 | 活塞销 | PIN,PISTON |
| HS1P39QME | 9 | GB/T6170-2000 | 螺母M12×1.25 | NUT M12*1.25 |
| HS1P39QME | 10 | GB/T97.1-85 | 垫圈Φ12mm | WASHER Φ12 |
| HS1P39QME | 11 | 1P39QMB-00820 | 曲轴连杆组合 | CRANKSHFT ASSY. |
| HS1P39QME | 12 | 1P39QMB-00820-01 | 正时主动链轮 | SPROCKET,TIMING DRIVEK |
| HS1P39QME | 13 | 1P39QMB-00820-02 | 深沟球轴承6204/P63 | BEARING RALL 6204/P63 |
| HS1P39QME | 14 | 1P39QMB-00820-03 | 左曲柄 | CRANK,LEFT |
| HS1P39QME | 15 | 1P39QMB-00820-04 | 右曲柄 | CRANK,RINHT |
| HS1P39QME | 16 | 1P39QMB-00820-05 | 深沟球轴承 | BEARING RALL RADIAL |
| HS1P39QME | 17 | 1P39QMB-00820-06 | 甩油盘 | PLATE,SWING OIL |
| HS1P39QME | 18 | 1P39QMB-00820-07 | 机油泵主动齿轮 | GEAR,OIL PUMP DRIVE |
| HS1P39QME | 19 | 1P39QMB-00820-08 | 半圆键3×2.5×13 | KEY,HEMICYCLE |
| HS1P39QME | 20 | 1P39QMB-00820-09 | 曲柄销 | PIN,CRANK |
| HS1P39QME | 21 | 1P39QMB-00820-10 | 连杆 | ROD,CONNECTING |
| HS1P39QME | 22 | 1P39QMB-00820-11 | 滚针轴承 | BEARING |
| HS1P39QME | 23 | GB/T6170-2000 | 螺母M10*1.25 | NUT M10*1.25 |

图9 无级变速系统分总成

TRANSMISSION COMP. CRANKSHAFT COMP.



| 型号 TOTAL NO | 序号 NO | 零件编号 PQRT NO | 中文名称 CHINESE NAME | 英文名称 ENGLISH NAME |
|----------------|----------|------------------|----------------------|--------------------------|
| HS1P39QME | 1 | 1P39QMB-00901 | 齿形皮带 | BELT,DRIVE |
| HS1P39QME | 2 | 1P39QMB-00910 | 主动轮组合 | FACE COMP.,DRIVE |
| HS1P39QME | 3 | 1P39QMB-00910-01 | 离心滚柱 | ROLLER,SET WEIGHT |
| HS1P39QME | 4 | 1P39QMB-00910-02 | 缓冲块 | PIECE,RAMP |
| HS1P39QME | 5 | 1P39QMB-00910-03 | 滚柱导板 | PLATE,RAMP |
| HS1P39QME | 6 | 1P39QMB-00910-04 | 主动轮右半组件 | FACE ASSY.,MOVABLE DRIVE |
| HS1P39QME | 7 | 1P39QMB-00910-05 | 轴套 | COLLAR,SHAFT |
| HS1P39QME | 8 | 1P39QMB-00910-06 | 主动轮左半 | FACE,DRIVE |
| HS1P39QME | 9 | 1P39QMB-00910-07 | 小风扇 | FAN |
| HS1P39QME | 10 | 1P39QMB-00910-08 | 起动棘爪 | PALLAT, STARTER |
| HS1P39QME | 11 | 1P39QMB-00920 | 从动轮组合 | PULLEY COMP.,DRIVER |
| HS1P39QME | 12 | 1P39QMB-00920-01 | 从动轮右半组件 | FACE ASSY.,MOVABLE DRIVE |

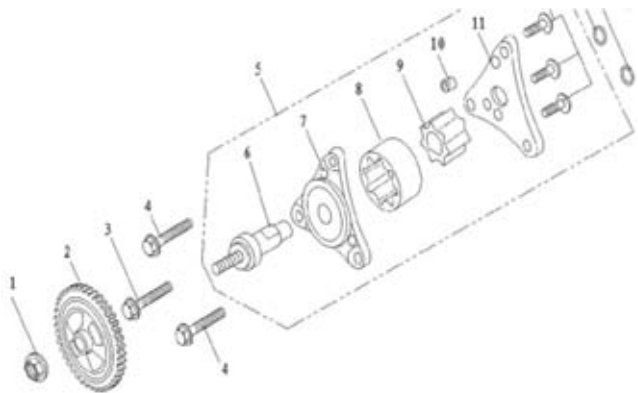
| | | | | |
|-----------|----|-------------------|----------------------|------------------------------------|
| HS1P39QME | 13 | 1P39QMB-00920-02 | 轴承6901U | BEARING RALL 6901U |
| HS1P39QME | 14 | GB/T893-86 | 挡圈24 | CIRCLIP 24 |
| HS1P39QME | 15 | 1P39QMB-00920-03 | 滚针轴承HK17×25×18W S | BEARING,NEEDLE |
| HS1P39QME | 16 | 1P39QMB-00920-04 | 从动轮右半摩擦盘 | MILLSTONES,MOVABLE DRIVE FACE |
| HS1P39QME | 17 | 1P39QMB-00920-05 | 右摩擦盘座 | MILLSTONES SEAT,MOVABLE DRIVE FACE |
| HS1P39QME | 18 | 1P39QMB-00920-06+ | 蹄块固定座组件 | PLATE ASSY.,DRIVE |
| HS1P39QME | 19 | 1P39QMB-00920-07 | 限位销 | PIN,DOWEL |
| HS1P39QME | 20 | 1P39QMB-00920-08 | 固定座 | COLLAR,FIXING |
| HS1P39QME | 21 | 1P39QMB-00920-09 | 固定销 | PIN,FIXING |
| HS1P39QME | 22 | 1P39QMB-00920-10 | 橡胶块 | RUBBER,CLUTCH DAMPER |
| HS1P39QME | 23 | 1P39QMB-00920-11 | 离合器蹄块 | WEIGHT SET CLUTCH |
| HS1P39QME | 24 | 1P39QMB-00920-12 | 离合器拉簧 | SPRING,CLUTCH |
| HS1P39QME | 25 | GB/T97.1-85 | 垫圈 | WASHER |
| HS1P39QME | 26 | GB/T893-86 | 挡圈 | CIRCLIP |
| HS1P39QME | 27 | 1P39QMB-00920-13 | 薄螺母 | NUT,SPECIAL |
| HS1P39QME | 28 | 1P39QMB-00920-14 | 离合器摩擦盘组件 | OUTER CLUTCH |
| HS1P39QME | 29 | 1P39QMB-00920-15 | 弹簧下支撑座 | COLLAR,SEAL |
| HS1P39QME | 30 | 1P39QMB-00920-16 | 压缩弹簧 | SPRING,DRIVEN FACE |
| HS1P39QME | 31 | 1P39QMB-00920-17 | 弹簧上支撑座 | COLLAR,SPRING |
| HS1P39QME | 32 | 1P39QMB-00920-18 | O形圈Φ36×1.5 | O-RING Φ36*1.5 |
| HS1P39QME | 33 | 1P39QMB-00920-19 | O形圈Φ39.8×2.2 | O-RING Φ39.8*2.2 |
| HS1P39QME | 34 | 1P39QMB-00920-20 | 油封Φ34×39×3 | SEAL,OIL Φ34*39*3 |
| HS1P39QME | 35 | 1P39QMB-00920-21 | 从动轮左半组件 | FACE ASSY.,MOVABLE DRIVEN |
| HS1P39QME | 36 | 1P39QMB-00920-22 | 导销 | PIN,ROLLER GUIDE |

图10 机油泵分总成

PUMP COMP.,OIL COMP.



| 型号 TOTAL NO | 序号 NO | 零件编号 PQRT NO | 中文名称 CHINESE NAME | 英文名称 ENGLISH NAME |
|----------------|----------|-----------------|-------------------------|-------------------------|
| HS1P39QME | 1 | GB/T6177.1-2000 | 螺母M6 | NUT M6 |



| | | | | |
|-----------|----|------------------|-------------|----------------------|
| HS1P39QME | 2 | 1P39QMB-01001 | 机油泵从动齿轮 | GEAR,OIL PUMP DRIVEN |
| HS1P39QME | 3 | GB/T5787-86 | 螺栓M6×25 | BOLT M6*25 |
| HS1P39QME | 4 | GB/T5787-86 | 螺栓M6×20 | BOLT M6*20 |
| HS1P39QME | 5 | 1P39QMB-01010 | 机油泵组件 | PUMP ASSY.,OIL |
| HS1P39QME | 6 | 1P39QMB-01010-01 | 机油泵轴 | SHAFT,OIL PUMP |
| HS1P39QME | 7 | 1P39QMB-01010-02 | 机油泵体 | BODY,OIL PUMP |
| HS1P39QME | 8 | 1P39QMB-01010-03 | 外转子 | ROTOR,OIL PUMP OUTER |
| HS1P39QME | 9 | 1P39QMB-01010-04 | 内转子 | ROTOR,OIL PUMP INNER |
| HS1P39QME | 10 | GB/T119.1-2000 | 销Φ4×6.5 | PIN Φ4*6.5 |
| HS1P39QME | 11 | 1P39QMB-01010-05 | 机油泵盖 | PLATE,OIL PUMP |
| HS1P39QME | 12 | GB/T818-88 | 十字盘头螺钉M4×10 | SCREW,PAN M4*10 |
| HS1P39QME | 13 | 1P39QMB-01011 | O形圈Φ9×1.6 | O-RING Φ9*1.6 |
| HS1P39QME | 14 | GB/T119.1-2000 | 定位销Φ8×12 | PIN,DOWEL Φ8*12 |

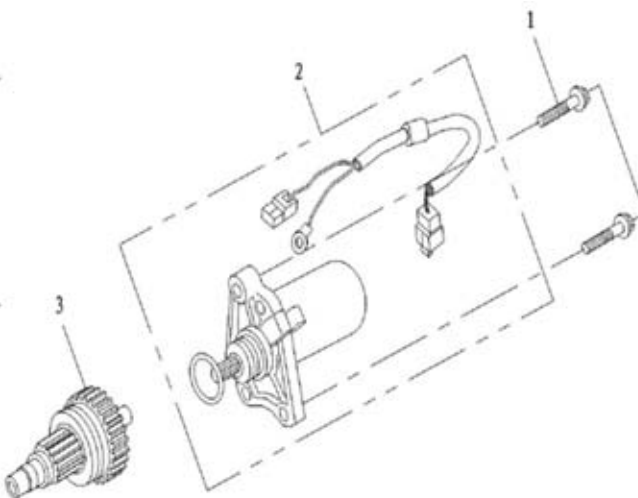


图11 电起动分总成

ELECTRICTY STARTER COMP.

| 型号 TOTAL NO | 序号 NO | 零件编号 PVRT NO | 中文名称 CHINESE NAME | 英文名称 ENGLISH NAME |
|----------------|----------|---------------|-------------------------|-------------------------|
| HS1P39QM B | 1 | GB/T5787-86 | 螺栓M6×25 | BOLT M6*25 |
| HS1P39QME | 2 | 1P39QMB-01101 | 起动电机 | MOTOR,STARTER |
| HS1P39QME | 3 | 1P39QMB-01102 | 电起动离合器组件 | CLUTCH ASSY.,STARTER |

图12 磁电机及电装品分总成

GENERATOR AND ELECTRICAL EQUIPMENT COMP.

| 型号 TOTAL NO | 序号 NO | 零件编号 PQRT NO | 中文名称 CHINESE NAME | 英文名称 ENGLISH NAME |
|----------------|----------|------------------|-------------------------|-------------------------|
| HS1P39QME | 1 | 1P39QMB-01210 | 磁电机总成 | GENERATOR ASSY. |
| HS1P39QME | 2 | 1P39QMB-01210-01 | 飞轮组件 | FLYWHEEL ASSY. |
| HS1P39QME | 3 | GB/T5787-86 | 螺栓M6×22 | BOLT,M6*22 |
| HS1P39QME | 4 | 1P39QMB-01210-02 | 定子组件 | STATOR ASSY. |
| HS1P39QME | 5 | GB/T5787-86 | 螺栓M5×12 | BOLT,M5*12 |

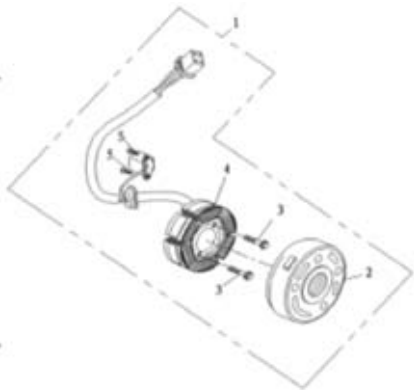
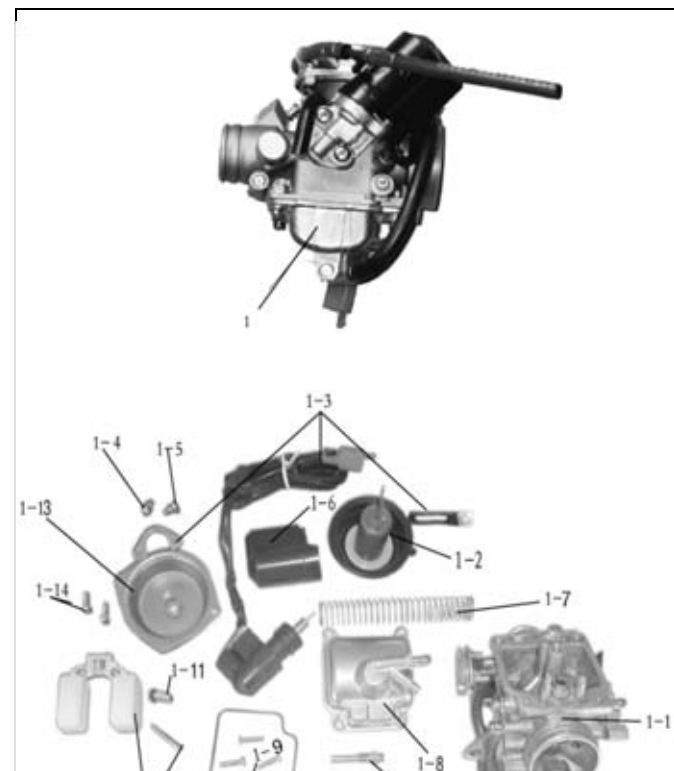


图13 化油器

FIG.16 CARBURETOR

| 型号 TOTAL NO | 序号 NO | 零件编号 PQRT NO | 中文名称 CHINESE NAME | 英文名称 ENGLISH NAME |
|----------------|----------|----------------|-------------------------|---------------------------|
| HS50QT-12 | 1 | 125T-T0040 | 化油器总成 | CARBURETOR |
| HS50QT-12 | 1-1 | 125T-T0040-001 | 化油器本体 | CARBURETOR |
| HS50QT-12 | 1-2 | 125T-T0040-002 | 油针套件 | NEEDLE SET , JET |
| HS50QT-12 | 1-3 | 125T-T0040-003 | 起动自动调节阀总成 | BYSTARTERASSY , AUTO |
| HS50QT-12 | 1-4 | GB/T823-88 | 十字圆头螺钉M4×8 | SCREW M4×8 |
| HS50QT-12 | 1-5 | GB/T93-87 | 弹垫Φ4 | WASHER Φ4 |
| HS50QT-12 | 1-6 | 125T-T0040-004 | 调节阀盖 | CAP , HOLDER |
| HS50QT-12 | 1-7 | 125T-T0040-005 | 节气门压缩弹簧 | SPRING , COMPRESSION COIL |
| HS50QT-12 | 1-8 | 125T-T0040-006 | 浮子室套件 | CHAMBER SETA |
| HS50QT-12 | 1-9 | GB/T823-88 | 十字圆头螺钉M4×14 | SCREW M4×14 |
| HS50QT-12 | 1-10 | 125T-T0040-007 | 浮子套件 | FLOAT SET |
| HS50QT-12 | 1-11 | 125T-T0040-008 | 浮子阀门组件 | VALVE COMP , FLOAT |
| HS50QT-12 | 1-12 | 125T-T0040-009 | 浮子室密封圈 | GASKET SETA |
| HS50QT-12 | 1-13 | 125T-T0040-010 | 顶盖 | TOP |
| HS50QT-12 | 1-14 | GB/T823-88 | 十字圆头螺钉M4×8 | SCREW M4×8 |
| HS50QT-12 | 1-15 | 125T-T0040-011 | 主喷嘴 | JET |
| HS50QT-12 | 1-16 | 125T-T0040-012 | 副喷嘴 | JET SLOW |
| HS50QT-12 | 1-17 | 125T-T0040-013 | 油门调节螺钉 | SCREW SETB |



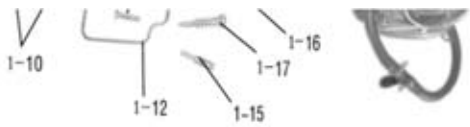


图14 仪表、头罩总成
METER&HEADCOVER

| 型号 TOTAL NO | 序号 NO | 零件编号 PQRT NO | 中文名称 CHINESE NAME | 英文名称 ENGLISH NAME |
|----------------|----------|------------------|-------------------|-----------------------------|
| HS50QT-12 | 1 | 50QT12-33010 | 后视镜总成 | Light view mirror assy |
| HS50QT-12 | 1-1 | 50QT12-33010-001 | 左后视镜 | Left mirror |
| HS50QT-12 | 1-2 | 50QT12-33010-002 | 右后视镜 | Right mirror |
| HS50QT-12 | 1-3 | 50QT12-33010-003 | 后视镜防尘胶套 | Dustproof bush, Mirror |
| HS50QT-12 | 1-4 | 50qt12-33010-004 | 锁紧螺母M8 | NUT M8 |
| HS50QT-12 | 2 | 50QT12-13010 | 前大灯总成 (35W*35W) | Headlight |
| HS50QT-12 | 2-1 | 50QT12-13010-001 | 前大灯电缆 | CABLE R. LIGHT |
| HS50QT-12 | 2-2 | 50QT12-13010-002 | 前大灯灯壳 | Front Light Case |
| HS50QT-12 | 2-3 | 50QT12-13010-003 | 前大灯灯座 | MAIN BODY,HEADLIGHT |
| HS50QT-12 | 2-4 | 50QT12-13010-004 | 前大灯灯泡 | HEADLIGHT BULB 12V18W |
| HS50QT-12 | 2-5 | 50QT12-13010-005 | 前大灯接头 | Tie-in,Front Light |
| HS50QT-12 | 3 | 50QT12-12013 | 仪表壳 | Speedometer cover |
| HS50QT-12 | 4 | 50QT12-24010 | 仪表总成 | Speedometer |
| HS50QT-12 | 4-1 | 50QT12-24010-001 | 仪表线 | METER CABLE |
| HS50QT-12 | 4-2 | 50QT12-24010-002 | 仪表灯泡 | Bulb of speedometer light |
| HS50QT-12 | 4-3 | 50QT12-24010-003 | 仪表壳A | METER CASE A |
| HS50QT-12 | 4-4 | 50QT12-24010-004 | 仪表罩 | METER COVER |
| HS50QT-12 | 4-5 | 50QT12-24010-005 | 仪表盘 | METER DIAL PLATE |
| HS50QT-12 | 4-6 | GB/T823-88 | 十字圆头螺栓M3×22 | Screw M3*22 |
| HS50QT-12 | 4-7 | GB/T823-88 | 十字圆头螺栓M4×8 | Screw M4*8 |
| HS50QT-12 | 4-8 | GB/T845-85 | 自枚螺钉ST4.2×16 | Self-tapping screw ST4.2*16 |
| HS50QT-12 | 5 | 50QT12-12001 | 前灯壳 | Front cover,handlebar |
| HS50QT-12 | 6 | GB818-2000 | 十字大扁头螺钉M6×16 | Screw M6*16 |
| HS50QT-12 | 7 | GB818-2000 | 十字圆头螺钉M5×25 | Screw M5*25 |

| | | | | |
|-----------|----|----------|--------------|-----------------------------|
| HS50QT-12 | 8 | GB845-85 | 自攻螺钉ST4.8×16 | Self-tapping screw ST4.8*16 |
| HS50QT-12 | 9 | GB845-85 | 自攻螺钉ST4.8×12 | Self-tapping screw ST4.8*12 |
| HS50QT-12 | 10 | GB845-85 | 自攻螺钉ST4.2×12 | Self-tapping screw ST4.2*12 |

图15 前面板、前围总成

FRONT COVER&FRONT SHROUD

|  | 型号 | 序号 | 零件编号 | 中文名称 | 英文名称 |
|---|-----------|-----|------------------|--------------|-----------------------------------|
| | TOTAL NO | NO | PQRT NO | CHINESE NAME | ENGLISH NAME |
| | HS50QT-12 | 1 | 50QT12-12002 | 前面板 | Front cover |
| | HS50QT-12 | 2 | 50QT12-12003 | 前围 | Bottom of front panel |
| | HS50QT-12 | 3 | 50QT12-13030 | 前左转向灯 | Front left turn signal |
| | HS50QT-12 | 3-1 | 50QT12-13030-001 | 前左转向灯灯壳 | CASE FR. L. TURNING LIGHT |
| | HS50QT-12 | 3-2 | 50QT12-13030-002 | 前左转向灯灯座 | HOLDER FR. L TURNING LIGHT |
| | HS50QT-12 | 3-3 | 50QT12-13030-003 | 前左转向灯灯泡 | BULB FR. L. TURNING LIGHT |
| | HS50QT-12 | 3-4 | GB/T845-85 | 自攻螺钉ST3.9×13 | Self-tapping screw ST3.9*13 |
| | HS50QT-12 | 4 | 50QT12-13040 | 前右转向灯 | Front right turn signal |
| | HS50QT-12 | 4-1 | 50QT12-13040-001 | 前右转向灯灯壳 | CASE FR. R. TURNING LIGHT |
| | HS50QT-12 | 4-2 | 50QT12-13040-002 | 前右转向灯灯座 | HOLDER FR. R. TURNING LIGHT |
| | HS50QT-12 | 4-3 | 50QT12-13040-003 | 前右转向灯灯泡 | BULB FR. R. TURNING LIGHT |
| | HS50QT-12 | 4-4 | GB/T845-85 | 自攻螺钉ST3.9×13 | Self-tapping screw ST3.9*13 |
| | HS50QT-12 | 5 | 50QT12-13050 | 前装饰灯 | Front light |
| | HS50QT-12 | 5-1 | 50QT12-13050-001 | 前装饰灯电缆 | Cable,Front Decorative Light |
| | HS50QT-12 | 5-2 | 50QT12-13050-002 | 前装饰灯灯泡 | Bulb,Front Decorative Light |
| | HS50QT-12 | 5-3 | 50QT12-13050-003 | 前装饰灯灯座 | Holder,Front Decorative Light |
| | HS50QT-12 | 5-4 | 50QT12-13050-004 | 前装饰灯灯壳 | Light Case,Front Decorative Light |
| | HS50QT-12 | 5-5 | GB/T845-85 | 自攻螺钉ST3×10 | Self-tapping screw ST3*12 |
| | HS50QT-12 | 6 | GB818-88 | 十字大扁头螺钉M6×16 | Screw M6*12 |
| | HS50QT-12 | 7 | GB845-85 | 自攻螺钉ST4.2×12 | Self-tapping screw ST4.2*12 |
| | HS50QT-12 | 8 | GB845-85 | 自攻螺钉ST4.8×16 | Self-tapping screw ST4.8*16 |
| | HS50QT-12 | 9 | 50QT12-27006 | 前面板缓冲胶圈 | Cushion Bush,Front Cover |

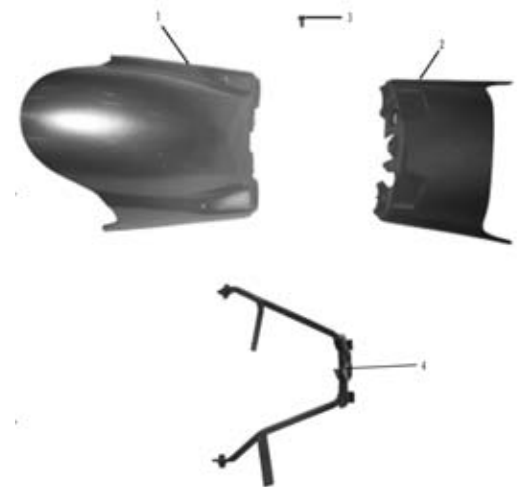


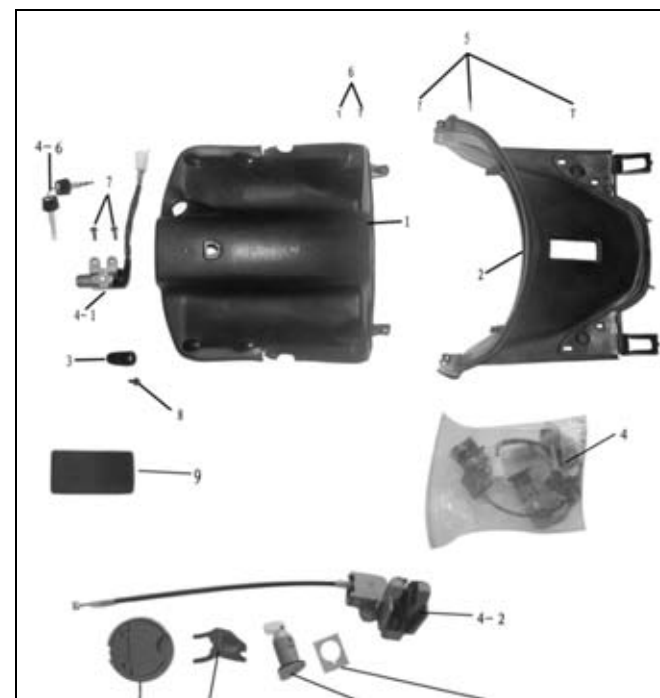
图16 前轮泥板

FRONT WHEEL FENDER

| 型号 TOTAL NO | 序号 NO | 零件编号 PQRT NO | 中文名称 CHINESE NAME | 英文名称 ENGLISH NAME |
|----------------|----------|--------------|----------------------|----------------------------|
| HS50QT-12 | 1 | 50QT12-12004 | 前挡泥前部 | Font wheel fender |
| HS50QT-12 | 2 | 50QT12-12028 | 前挡泥后部 | Font wheel fender |
| HS50QT-12 | 3 | GB/T823-88 | 十字圆头螺钉M6×12 | Hexagon bolt M6*12 |
| HS50QT-12 | 4 | 50QT12-15011 | 前挡泥支架 | Front Wheel Fender Bracket |

图17 工具箱总成

TOOL BOX ASSY



| 型号 TOTAL NO | 序号 NO | 零件编号 PQRT NO | 中文名称 CHINESE NAME | 英文名称 ENGLISH NAME |
|----------------|----------|------------------|----------------------|-----------------------------|
| HS50QT-12 | 1 | 50QT12-12014 | 文件箱上部 | Front part,tool box |
| HS50QT-12 | 2 | 50QT12-12015 | 文件箱下部 | Rear part,tool box |
| HS50QT-12 | 3 | 50QT12-12031 | 头盔挂钩A | Hook,tool box |
| HS50QT-12 | 4 | 50QT12-26010 | 全车套锁 | Ignition lock |
| HS50QT-12 | 4-1 | 50QT12-26010-001 | 点火开关锁 | Ignition lock |
| HS50QT-12 | 4-2 | 50QT12-26010-002 | 座垫锁座(含拉索) | Bracket of seat lock |
| HS50QT-12 | 4-3 | 50QT12-26010-003 | 座垫锁 | Seat lock bracket |
| HS50QT-12 | 4-4 | 50QT12-26010-004 | 座垫锁垫片 | Plate of seat lock |
| HS50QT-12 | 4-5 | 50QT12-26010-005 | 座垫锁固定架 | Bracket,seat lock |
| HS50QT-12 | 4-6 | 50QT12-26010-006 | 钥匙 | Key |
| HS50QT-12 | 4-7 | 50QT12-26010-007 | 油箱盖锁 | Cap of fuel tank |
| HS50QT-12 | 5 | GB845-85 | 自攻螺钉ST4.2×16 | Self-tapping screw ST4.2*16 |
| HS50QT-12 | 6 | GB845-85 | 自攻螺钉ST4.8×12 | Self-tapping screw ST4.8*12 |
| HS50QT-12 | 7 | GB/T818-88 | 十字小扁头螺钉M6×16 | Hexagon bolt M6*16 |
| HS50QT-12 | 8 | GB/T87-86 | 六角法兰面螺栓M6×16 | Hexagon bolt M16*16 |
| HS50QT-12 | 9 | 50QT12-12016 | 车架号视孔盖 | VIN NUMBER COVER |



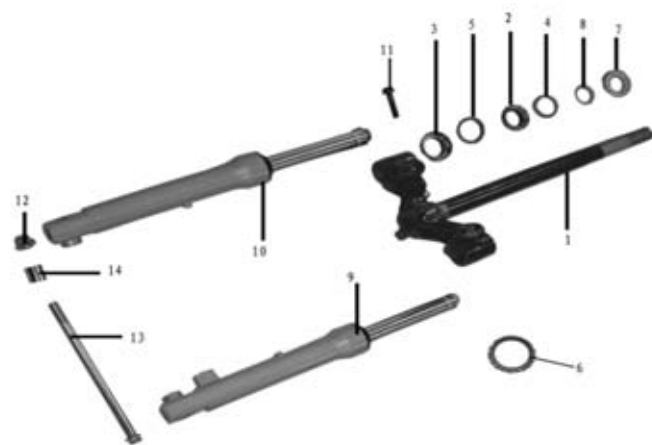
| | | | | |
|-----------|----|--------------|---------|--------------------------|
| HS50QT-12 | 10 | 50QT12-15016 | 头盔挂钩固定板 | Fixed Board,Helm Pothook |
|-----------|----|--------------|---------|--------------------------|

图18 方向把总成
STEERING BAR ASSY

| 型号 TOTAL NO | 序号 NO | 零件编号 PQRT NO | 中文名称 | CHINESE | 英文名称 | ENGLISH |
|----------------|----------|------------------|---------------|-------------------------------------|-------------------------------------|---------|
| | | | 名称 | NAME | 名称 | NAME |
| HS50QT-12 | 1 | 50QT12-15002 | 方向把 | Handlebar | Handlebar | |
| HS50QT-12 | 2 | 50QT12-27009 | 左手把胶套 | Left grip | Left grip | |
| HS50QT-12 | 3 | 50QT12-27011 | 加油器组件 | Right grip | Right grip | |
| HS50QT-12 | 4 | 50QT12-25010 | 左闸把开关组合 | Joystick left | Joystick left | |
| HS50QT-12 | 4-1 | 50QT12-25010-001 | 左闸把开关前段 | FRONT PARTS,LEFT HANDLE GRIP SWITCH | FRONT PARTS,LEFT HANDLE GRIP SWITCH | |
| HS50QT-12 | 4-2 | 50QT12-25010-002 | 左闸把开关后段 | BACK PARTS,LEFT HANDLE GRIP SWITCH | BACK PARTS,LEFT HANDLE GRIP SWITCH | |
| HS50QT-12 | 4-3 | 50QT12-25010-003 | 左闸把 | LEFT HANDLE GRIP | LEFT HANDLE GRIP | |
| HS50QT-12 | 4-4 | 50QT12-25010-004 | 后制动开关线 | SWITCH CABLE,REAR BRAKE | SWITCH CABLE,REAR BRAKE | |
| HS50QT-12 | 4-5 | GB/6170-2000 | 1字螺母M5 | NUT M5 | NUT M5 | |
| HS50QT-12 | 4-6 | 125-T0010-019 | 十字圆头台阶螺栓M5*22 | BOLT M5*22 | BOLT M5*22 | |
| HS50QT-12 | 4-7 | GB/823-88 | 十字圆头螺钉M5*22 | Hexagon bolt M5*22 | Hexagon bolt M5*22 | |
| HS50QT-12 | 4-8 | GB/T823-88 | 十字圆头螺钉M5*30 | Hexagon bolt M5*30 | Hexagon bolt M5*30 | |
| HS50QT-12 | 5 | 50QT12-25020 | 右闸把开关组合 | Joystick right | Joystick right | |
| HS50QT-12 | 5-1 | 50QT12-25020-001 | 右闸把前段 | FRONT PARTS,RIGHT HANDLE GRIP | FRONT PARTS,RIGHT HANDLE GRIP | |
| HS50QT-12 | 5-2 | 50QT12-25020-002 | 右闸把后段 | BACK PARTS,RIGHT HANDLE GRIP | BACK PARTS,RIGHT HANDLE GRIP | |
| HS50QT-12 | 5-3 | GB/823-88 | 十字圆头螺钉M5*22 | Hexagon bolt M5*22 | Hexagon bolt M5*22 | |
| HS50QT-12 | 5-4 | GB/T823-88 | 十字圆头螺钉M5*30 | Hexagon bolt M5*30 | Hexagon bolt M5*30 | |
| HS50QT-12 | 6 | GB/T5787-86 | 六角法兰面螺栓M10*50 | Hexagon bolt M10*50 | Hexagon bolt M10*50 | |
| HS50QT-12 | 7 | GB/T6187-2000 | 六角法兰面螺母M10 | Nut M10 | Nut M10 | |

图19 前叉总成

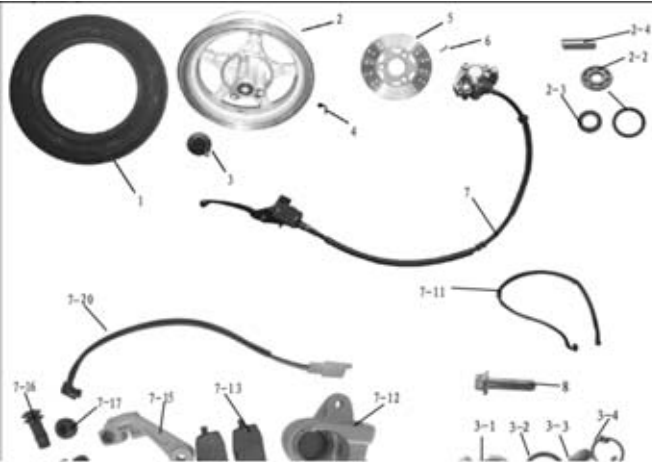
FRONT FORK ASSY



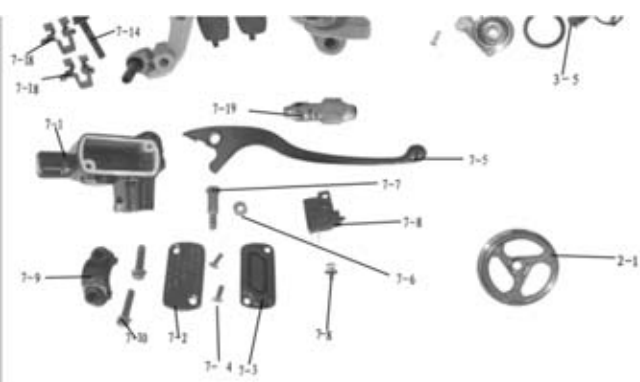
| 型号 TOTAL NO | 序号 NO | 零件编号 PQRT NO | 中文名称 CHINESE NAME | 英文名称 ENGLISH NAME |
|----------------|----------|---------------|-------------------------|---------------------------|
| HS50QT-12 | 1 | 50QT12-15003 | 方向柱 | Steering column |
| HS50QT-12 | 2 | 50QT12-16001 | 上钢碗 | Upper cover bearing bowl |
| HS50QT-12 | 3 | 50QT12-16002 | 下钢碗 | Under cover bearing race |
| HS50QT-12 | 4 | 50QT12-16003 | 下轴承座圈 | Under cover bearing bowl |
| HS50QT-12 | 5 | 50QT12-16004 | 上轴承 | Ball |
| HS50QT-12 | 6 | 50QT12-16005 | 下轴承 | Under ball |
| HS50QT-12 | 7 | 50QT12-16006 | 调整螺母 | Upper cover,bearing bowl |
| HS50QT-12 | 8 | 50QT12-16007 | 锁紧螺母 | Nut |
| HS50QT-12 | 9 | 50QT12-19010 | 前左减震器 | Front left absorber assy |
| HS50QT-12 | 10 | 50QT12-19020 | 前右减震器 | Front right absorber assy |
| HS50QT-12 | 11 | GB/T5787-86 | 六角法兰螺栓M8×40 | Hexagon bolt M8*40 |
| HS50QT-12 | 12 | GB6187-2000 | 六角法兰螺母M12 | Nut M12 |
| HS50QT-12 | 13 | GB/T16674-96 | 前轮轴M12×250 | Front axle |
| HS50QT-12 | 14 | 125-T0010-004 | 衬套φ12.5×20×9.5 | Bushing |

图20 前轮总成

FRONT WHEEL



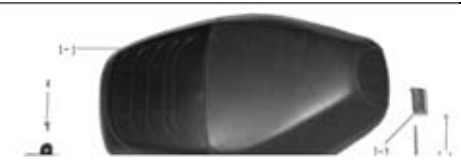
| 型号 TOTAL NO | 序号 NO | 零件编号 PQRT NO | 中文名称 CHINESE NAME | 英文名称 ENGLISH NAME |
|----------------|----------|------------------|-------------------------|---------------------------|
| HS50QT-12 | 1 | 50QT12-18001 | 轮胎3.00-10 | Front tire |
| HS50QT-12 | 2 | 50QT12-17010 | 前轮圈 | Front wheel |
| HS50QT-12 | 2-1 | 50QT12-17010-001 | 前轮圈壳体 | SHELL, RIM FRONT WHEEL |
| HS50QT-12 | 2-2 | 50QT12-17010-002 | 前轮圈轴承 | BEARING, RIM FRONT WHEEL |
| HS50QT-12 | 2-3 | 50QT12-17010-003 | 前轮圈油封 | OIL SEAL, RIM FRONT WHEEL |
| HS50QT-12 | 2-4 | 50QT12-17010-004 | 前轮圈衬套 | COLLAR, RIM FRONT WHEEL |
| HS50QT-12 | 3 | 50QT12-20010 | 计速器总成 | Gear of speedometer |
| HS50QT-12 | 3-1 | 50QT12-20010-001 | 计速器本体 | MAIN BODY |
| HS50QT-12 | 3-2 | 50QT12-20010-002 | 计速器密封圈 | OIL SEALER |
| HS50QT-12 | 3-3 | 50QT12-20010-003 | 计速器从动齿轮 | DRAIVEN GEAR |



| | | | | |
|-----------|------|------------------|--------------|------------------------------------|
| HS50QT-12 | 3-4 | 50QT12-20010-004 | 计速器从动片 | DRAIVEN FLAKE |
| HS50QT-12 | 3-5 | 50QT12-20010-005 | 计速器垫圈 | COLLAR |
| HS50QT-12 | 4 | 50QT12-18002 | 气门嘴 | Valve stem |
| HS50QT-12 | 5 | 50QT12-34021 | 碟刹盘 | Brake disk |
| HS50QT-12 | 6 | 125-T0010-005 | 内六角螺钉M8×25 | Bolt |
| HS50QT-12 | 7 | 50QT12-34010 | 前碟刹总成 | Disk control |
| HS50QT-12 | 7-1 | 50QT12-34010-001 | 前碟刹上泵 | UPPER PUMP DISK PLATE |
| HS50QT-12 | 7-2 | 50QT12-34010-002 | 前碟刹上泵盖 | COVER, UPPER PUMP DISK PLATE |
| HS50QT-12 | 7-3 | 50QT12-34010-003 | 前碟刹上泵密封件 | SEAL, UPPER PUMP DISK PLATE |
| HS50QT-12 | 7-4 | 125-T0010-006 | 十字沉头螺钉M4×10 | TAPPING BOLT BRAKE SWITCH |
| HS50QT-12 | 7-5 | 50QT12-34010-004 | 右手柄 | Left lever |
| HS50QT-12 | 7-6 | GB/T6170-2000 | 螺母M6 | NUT M6 |
| HS50QT-12 | 7-7 | 125-T0010-003 | 台阶螺栓M6×32 | BOLT M6*32 |
| HS50QT-12 | 7-8 | 50QT12-34010-005 | 前碟刹制动开关 | Brake light switch |
| HS50QT-12 | 7-9 | 50QT12-34010-006 | 前碟刹固定块 | Plate of disk |
| HS50QT-12 | 7-10 | GB/T5787-86 | 螺栓M6×22 | Hexagon bolt M6*22 |
| HS50QT-12 | 7-11 | 50QT12-34010-007 | 前碟刹油管 | VITTA, FR. DISK BRAKE |
| HS50QT-12 | 7-12 | 50QT12-34010-008 | 前碟刹下泵 | BOTTOM PUMP DISK PLATE |
| HS50QT-12 | 7-13 | 50QT12-34010-009 | 前碟刹刹车片 | BRAKE PLATE |
| HS50QT-12 | 7-14 | 50QT12-34010-010 | 前刹车片固定螺栓 | ASSEMBLE BOLTM8*65DISK BRAKE |
| HS50QT-12 | 7-15 | 50QT12-34010-011 | 前碟刹安装支架 | ASSEMBLE BLE HOLDER BRAKE |
| HS50QT-12 | 7-16 | 50QT12-34010-012 | 前碟刹防尘胶套1 | DUSTPROOF COLLAR 1, FR. DISK BRAKE |
| HS50QT-12 | 7-17 | 50QT12-34010-013 | 前碟刹防尘胶套2 | DUSTPROOF COLLAR 2, FR. DISK BRAKE |
| HS50QT-12 | 7-18 | 50QT12-34010-014 | 前刹车片回位弹簧 | Relocation Spring,Front Brake Shoe |
| HS50QT-12 | 7-19 | 50QT12-34010-015 | ABS防抱死 | ABS |
| HS50QT-12 | 7-20 | 50QT12-34010-016 | 刹车开关线 | BRAKE SWITCH CABLE |
| HS50QT-12 | 8 | GB/T5787-86 | 六角法兰面螺栓M8×32 | Hexagon bolt M8*32 |

图21 座垫总成

SEAT ASSY



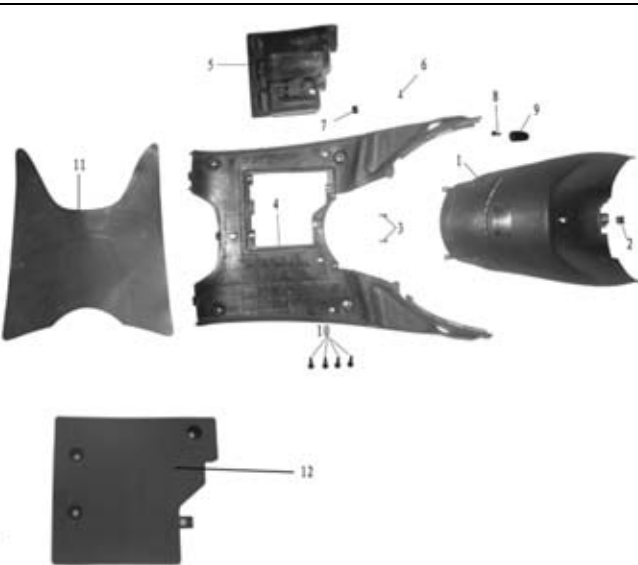
| 型号 TOTAL NO | 序号 NO | 零件编号 PQRT NO | 中文名称 CHINESE NAME | 英文名称 ENGLISH NAME |
|----------------|----------|------------------|-------------------------|-------------------------|
| HS50QT-12 | 1 | 50QT12-30010 | 座垫总成 | Seat |
| HS50QT-12 | 1-1 | 50QT12-30010-001 | 座垫本体 | Seat Body |



| | | | | |
|-----------|-----|------------------|--------------|-------------------------------|
| HS50QT-12 | 1-2 | 50QT12-30010-002 | 座垫支撑板 | Cushion rocker |
| HS50QT-12 | 1-3 | 50QT12-30010-003 | 座垫连接销组 | Cushion pin |
| HS50QT-12 | 1-4 | GB/T 6177.1-2000 | 螺母M6 | hexagon nut M6 |
| HS50QT-12 | 2 | 50QT12-12017 | 置物箱 | Luggage box |
| HS50QT-12 | 3 | 50QT12-12019 | 置物箱底盖 | Inner cover,Luggage box |
| HS50QT-12 | 4 | GB/T818-88 | 十字大扁头螺钉M6×16 | Hexagon bolt M6*16 |
| HS50QT-12 | 5 | GB/T97.1-85 | 平垫片Φ6 | Washer Φ6 |
| HS50QT-12 | 6 | GB6187.4-2000 | 六角法兰螺母M6 | Hexagon bolt M6 with washerM6 |

图22 座垫前围、脚踏底板

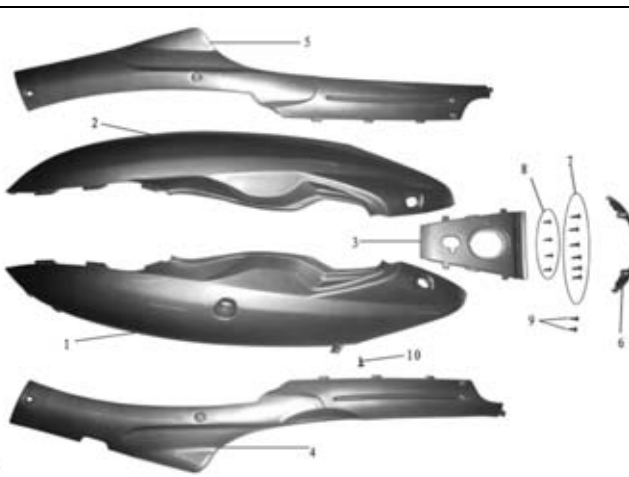
SEAT FRONT SHROUD&FOOTBOARD



| 型号 TOTAL NO | 序号 NO | 零件编号 PQRT NO | 中文名称 CHINESE NAME | 英文名称 ENGLISH NAME |
|----------------|----------|---------------|-------------------------|-----------------------------|
| HS50QT-12 | 1 | 50QT12-12018 | 置物箱前罩 | Front shroud |
| HS50QT-12 | 2 | 125-T0010-010 | 夹板螺母M6 | Clip M6 |
| HS50QT-12 | 3 | GB845-85 | 自攻螺钉ST4.2×16 | Self-tapping screw ST4.2*16 |
| HS50QT-12 | 4 | 50QT12-12021 | 脚踏板 | Footboard |
| HS50QT-12 | 5 | 50QT12-12025 | 电瓶盒 | Battery cover |
| HS50QT-12 | 6 | GB845-85 | 自攻螺钉ST4.8×16 | Self-tapping screw ST4.8*16 |
| HS50QT-12 | 7 | 125-T0010-001 | U型夹ST4.8 | ClipΦ4.2 |
| HS50QT-12 | 8 | GB/T5787-86 | 六角法兰面螺栓M6×12 | Hexagon bolt M6*12 |
| HS50QT-12 | 9 | 50QT12-12031 | 头盔挂钩B | Hook,Helmet B |
| HS50QT-12 | 10 | GB/T5787-86 | 六角法兰面螺栓M6×25 | Bolt M6*25 |
| HS50QT-12 | 11 | 50QT12-27012 | 脚踏皮 | Rubber floor mat |
| HS50QT-12 | 12 | 50QT12-12024 | 电瓶盖 | Battery cover |

图23 左右装饰板、边条

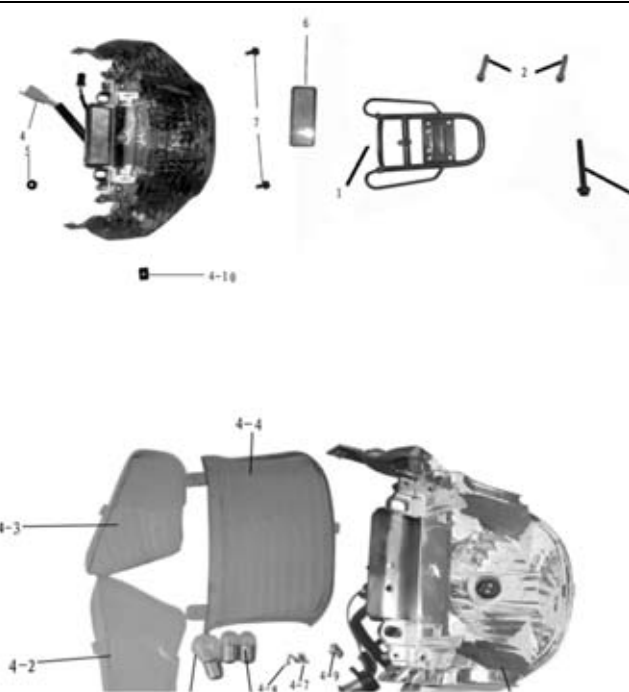
L&R DECORATION PLATE&PLASTIC PLATE



| 型号 TOTAL NO | 序号 NO | 零件编号 PQRT NO | 中文名称 CHINESE NAME | 英文名称 ENGLISH NAME |
|----------------|----------|--------------|-------------------|-----------------------------|
| HS50QT-12 | 1 | 50QT12-12005 | 左侧板 | Left protecting plate |
| HS50QT-12 | 2 | 50QT12-12006 | 右侧板 | Right protecting plate |
| HS50QT-12 | 3 | 50QT12-12007 | 中心连接板 | Rear plate |
| HS50QT-12 | 4 | 50QT12-12008 | 左护条 | Plastic plate left |
| HS50QT-12 | 5 | 50QT12-12009 | 右护条 | Plastic plate right |
| HS50QT-12 | 6 | 50QT12-12011 | 后护条 | rear plastic plate |
| HS50QT-12 | 7 | GB845-85 | 自攻螺钉ST4.8×16 | self-tapping screw ST4.8*16 |
| HS50QT-12 | 8 | GB845-85 | 自攻螺钉ST4.2×16 | self-tapping screw ST4.2*16 |
| HS50QT-12 | 9 | GB845-85 | 自攻螺钉ST4.8×12 | self-tapping screw ST4.8.12 |
| HS50QT-12 | 10 | GB845-85 | 自攻螺钉ST4.2×12 | self-tapping screw ST4.2*12 |

图24 后尾灯、载物架

REAR TAILLIGHT&CARRIER PLATE



| 型号 TOTAL NO | 序号 NO | 零件编号 PQRT NO | 中文名称 CHINESE NAME | 英文名称 ENGLISH NAME |
|----------------|----------|------------------|-------------------|-------------------------------|
| HS50QT-12 | 1 | 50QT12-15017 | 后货架 | Rear rack |
| HS50QT-12 | 2 | GB5787-86 | 六角法兰面螺栓M8×50 | Bolt M8*50 |
| HS50QT-12 | 3 | GB5787-86 | 六角法兰面螺栓M8×80 | Bolt M8*80 |
| HS50QT-12 | 4 | 50QT12-13020 | 尾灯总成 (后尾灯总成) | Taillight |
| HS50QT-12 | 4-1 | 50QT12-13020-001 | 尾灯灯座 | HOWDER |
| HS50QT-12 | 4-2 | 50QT12-13020-002 | 后右转向灯灯壳 | Rear Right Turning Light Case |
| HS50QT-12 | 4-3 | 50QT12-13020-003 | 后左转向灯灯壳 | Rear Left Turning Light Case |
| HS50QT-12 | 4-4 | 50QT12-13020-004 | 尾灯灯壳 | CASE TAIL LIGHT |
| HS50QT-12 | 4-5 | 50QT12-13020-005 | 尾灯灯泡 | Taillight bulb |
| HS50QT-12 | 4-6 | 50QT12-13020-006 | 后转向灯灯泡 | Rear turning light bulb |
| HS50QT-12 | 4-7 | GB/T845-85 | 自枚螺钉ST4.2×12 | self-tapping screw ST4.2*12 |
| HS50QT-12 | 4-8 | GB/T845-85 | 自枚螺钉ST2.9×12 | self-tapping screw ST2.9*12 |
| HS50QT-12 | 4-9 | 125-T0010-010 | 带夹板螺母M5 | Insert piece M5 |
| HS50QT-12 | 4-10 | 125-T0010-001 | U型夹ST4.8 | Clip ST4.8 |
| HS50QT-12 | 5 | GB/T6170-2000 | 六角法兰面螺母M6 | Hexagon nut M6 |



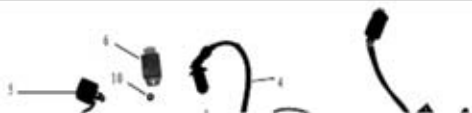
| | | | | |
|-----------|---|--------------|--------------|--------------------|
| HS50QT-12 | 6 | 50QT12-14001 | 后反射器(红色方形) | Rear reflector |
| HS50QT-12 | 7 | GB/T5787-86 | 六角法兰面螺栓M6×16 | Hexagon bolt M6*16 |

图25 汽油箱总成
FUEL TANK ASSY

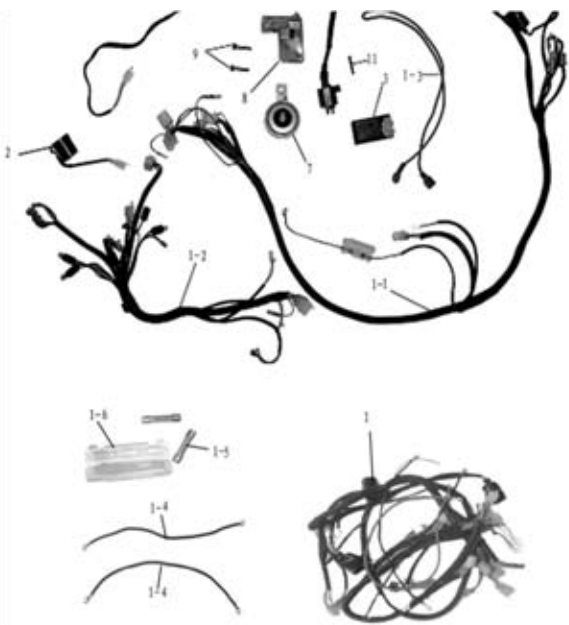


| 型号 TOTAL NO | 序号 NO | 零件编号 PQRT NO | 中文名称 CHINESE NAME | 英文名称 ENGLISH NAME |
|----------------|----------|-----------------|-------------------|----------------------------|
| HS50QT-12 | 1 | 50QT12-22001 | 油箱焊接组合 | Fuel tank |
| HS50QT-12 | 2 | 50QT12-15012 | 座垫锁座支架 | Front bracket of fuel tank |
| HS50QT-12 | 3 | 50QT12-15015 | 油箱压板 | Rear bracket of fuel tank |
| HS50QT-12 | 4 | 50QT12-24011 | 燃油传感器 | Fuel sensor unit |
| HS50QT-12 | 5 | 50QT12-24012 | 传感器密封圈 | Washer fuel sensor unit |
| HS50QT-12 | 6 | 50QT12-24013 | 传感器压板 | Plate fuel sensor unit |
| HS50QT-12 | 7 | 50QT12-22002 | 油开关 | Fuel petcock |
| HS50QT-12 | 8 | 125T-T0005 | 负压管Φ7 | Gas hoseΦ7 |
| HS50QT-12 | 9 | 125T-T0006 | 油管Φ8 | oil pipeΦ8 |
| HS50QT-12 | 10 | 125T-T0007 | 负压管锁紧圈Φ7 | Clip springΦ7 |
| HS50QT-12 | 11 | 125T-T0008 | 油管锁紧圈Φ8 | Clip springΦ8 |
| HS50QT-12 | 12 | 50QT12-22003 | 过滤器 | Oil filter |
| HS50QT-12 | 13 | GB/T5787-86 | 六角法兰面螺栓M6×12 | Hexagon bolt M6*12 |
| HS50QT-12 | 14 | GB/T5787-86 | 六角法兰面螺栓M6×16 | Hexagon bolt M6*16 |
| HS50QT-12 | 15 | GB/T6177.1-2000 | 六角法兰面螺母M6 | Nut M6 |
| HS50QT-12 | 16 | 50QT12-27004 | 油箱口防油胶套 | Oilproof Bush,Tank Mouth |
| HS50QT-12 | 17 | 50QT12-27005 | 油箱口导流管 | Guide Tube,Tank Mouth |

图26 电器电缆组件
ELECTRICAL MACHINERY CABLE COMP



| 型号 TOTAL NO | 序号 NO | 零件编号 PQRT NO | 中文名称 CHINESE NAME | 英文名称 ENGLISH NAME |
|----------------|----------|--------------|-------------------|-------------------|
| HS50QT-12 | 1 | 50QT12-23010 | 电缆总成 | WIRE ASSY |



| | | | | |
|-----------|-----|------------------|---------------|------------------------|
| HS50QT-12 | 1-1 | 50QT12-23010-001 | 主电缆 | Main wire essy |
| HS50QT-12 | 1-2 | 50QT12-23010-002 | 付电缆 | Wire assy |
| HS50QT-12 | 1-3 | 50QT12-23010-003 | 正极线 | #NAME? |
| HS50QT-12 | 1-4 | 50QT12-23010-004 | 负极线 | #NAME? |
| HS50QT-12 | 1-5 | 50QT12-23010-005 | 保险丝15A | Fuse 15A |
| HS50QT-12 | 1-6 | 50QT12-23010-006 | 保险丝盒 | Fuse box |
| HS50QT-12 | 2 | 125T-T0002 | 闪光器 (含胶套) | Flasher |
| HS50QT-12 | 3 | 1P39QMB-005 | 点火器 (CDI) | CDI |
| HS50QT-12 | 4 | 1P39QMB-006 | 点火线圈 | High voltage wire essy |
| HS50QT-12 | 5 | 50QT12-38001 | 启动继电器 | Relay assy |
| HS50QT-12 | 6 | 50QT12-38002 | 调压整流器 (整流器) | Regulator |
| HS50QT-12 | 7 | 125T-T0003 | 喇叭 | Horn |
| HS50QT-12 | 8 | 50QT12-15007 | 喇叭支架 | Horn bracket |
| HS50QT-12 | 9 | GB/5787-86 | 六角法兰面螺栓M6×16 | Hexagon bolt M6*16 |
| HS50QT-12 | 10 | GB/T6177.1-2000 | 六角法兰面螺母M6 | hexagon nut M6 |
| HS50QT-12 | 11 | GB/T823-88 | 十字圆头螺钉M6×20 | Bolt M6*20 |



图27 操纵线
OPERATION WIRE

| 型号 TOTAL NO | 序号 NO | 零件编号 PQRT NO | 中文名称 CHINESE NAME | 英文名称 ENGLISH NAME |
|----------------|----------|----------------|-------------------------|-------------------------|
| HS50QT-12 | 1 | 50QT12-28001 | 油门拉索 | Throttle cable |
| HS50QT-12 | 2 | 50QT12-28002 | 后制动拉索 | Rear brake cable |
| HS50QT-12 | 3 | 50QT12-28003 | 里程表软轴 | Speedometer cable |
| HS50QT-12 | 4 | 125T-T0030 | 防盗器总成 | BURGLERY DEFENDER |
| HS50QT-12 | 4-1 | 125T-T0030-001 | 防盗器主体 | BURGLERY DEFENDER |
| HS50QT-12 | 4-2 | 125T-T0030-002 | 蜂鸣器 | BURGLERY DEFENDER HORN |
| HS50QT-12 | 4-3 | 125T-T0030-003 | 摇控器 | BURGLERY DEFENDER KEY |
| HS50QT-12 | 5 | 50QT12-38003 | 电瓶 (含电解液) 12V、 5A | BATTARY |

图28 车架挡泥板、后轮挡泥板

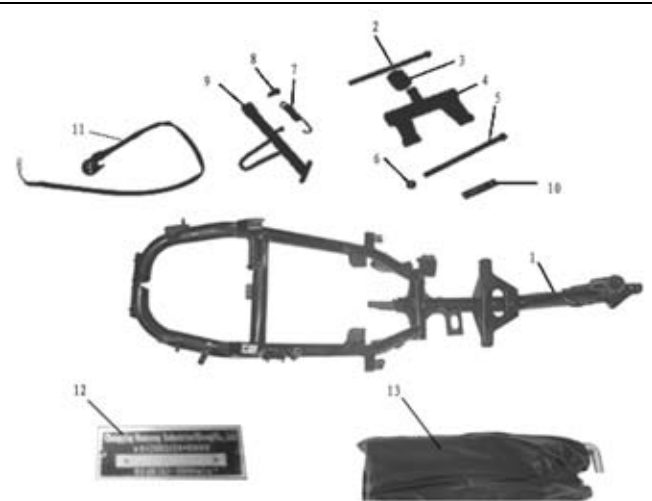
FRAME FENDER&REAR WHEEL FENDER



| 型号 TOTAL NO | 序号 NO | 零件编号 PQRT NO | 中文名称 CHINESE NAME | 英文名称 ENGLISH NAME |
|----------------|----------|-----------------|-------------------|----------------------------|
| HS50QT-12 | 1 | 50QT12-12023 | 车架底罩 | Frame fender |
| HS50QT-12 | 2 | 50QT12-15008 | 脚踏板左支架 | Left bracket of footboard |
| HS50QT-12 | 3 | 50QT12-15009 | 脚踏板右支架 | Right bracket of footboard |
| HS50QT-12 | 4 | GB/T5787-86 | 六角法兰面螺栓M6×12 | Hexagon bolt M6*12 |
| HS50QT-12 | 5 | GB/T6177.1-2000 | 六角法兰面螺母M6 | Hexagon nut M6 |
| HS50QT-12 | 6 | 50QT12-12027 | 后挡泥板 | Rear wheel fender |
| HS50QT-12 | 7 | 50QT12-27008 | 后轮挡水皮 | Rubber cover of rear wheel |
| HS50QT-12 | 8 | 50QT12-14002 | 侧光片 | Ventro-reflector |
| HS50QT-12 | 9 | 50QT12-15013 | 后牌照支架 | Rear Nameplate Bracket |

图29 车架及配件

FRAME BODY&ACCESSORIES



| 型号 TOTAL NO | 序号 NO | 零件编号 PQRT NO | 中文名称 CHINESE NAME | 英文名称 ENGLISH NAME |
|----------------|----------|---------------|-------------------|-----------------------------|
| HS50QT-12 | 1 | 50QT12-15001 | 车架 | Frame essy |
| HS50QT-12 | 2 | GB/T5787-86 | 吊架固定轴M10×240 | Axle of hanger M10*240 |
| HS50QT-12 | 3 | 50QT12-27002 | 吊架缓冲块 | Buffer of hanger |
| HS50QT-12 | 4 | 50QT12-15006 | 吊架 | Hanger |
| HS50QT-12 | 5 | GB/T5787-86 | 发动机吊轴M10×200 | Axle of engine M10*200 |
| HS50QT-12 | 6 | GB/T6187-2000 | 六角法兰面自锁螺母M10 | Nut M10 |
| HS50QT-12 | 7 | 50QT12-29001 | 侧支架回位拉簧 | Spring of side stand |
| HS50QT-12 | 8 | 125-T0010-003 | 台阶螺栓M10*20×9 | Bolt of side stand M10*20*9 |
| HS50QT-12 | 9 | 50QT12-15005 | 侧支架 | Side stand |
| HS50QT-12 | 10 | 50QT12-15014 | 吊架轴套Φ15×75 | Bushing of hangerΦ15*75 |

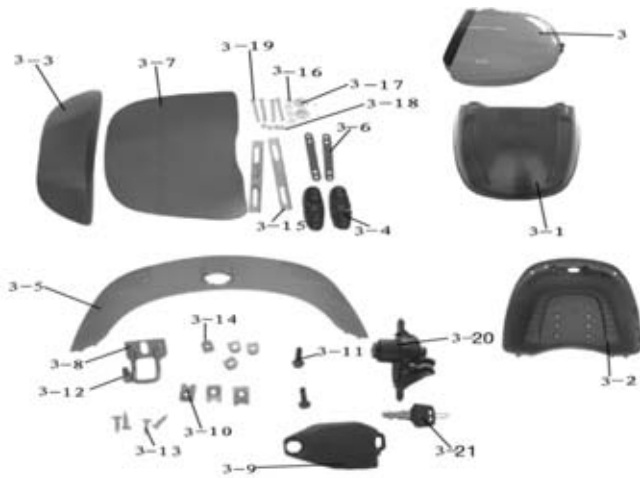
| | | | | |
|-----------|----|------------|------|-----------------------------|
| HS50QT-12 | 11 | 125T-T0001 | 熄火开关 | Flameout switch,side center |
| HS50QT-12 | 12 | 125T-T0016 | 铭牌 | NAMEPLATE |
| HS50QT-12 | 13 | 125T-T0009 | 随车工具 | Kit |

图30 空滤器总成
AIR CLEANER

| 型号 TOTAL NO | 序号 NO | 零件编号 PQRT NO | 中文名称 | CHINESE | 英文名称 | ENGLISH | NAME |
|----------------|----------|------------------|--------------|-------------------------|-------------------------|---------|------|
| | | | 名称 | NAME | 名称 | NAME | |
| HS50QT-12 | 1 | 50QT12-31010 | 空气滤清器总成 | AIR FILTER ASSY | AIR FILTER ASSY | | |
| HS50QT-12 | 1-1 | 50QT12-31010-001 | 海绵滤芯 | Sponge filter element | Sponge filter element | | |
| HS50QT-12 | 1-2 | 50QT12-31010-002 | 空滤器上盖 | Air-cleaner cover top | Air-cleaner cover top | | |
| HS50QT-12 | 1-3 | 50QT12-31010-003 | 空滤器下盖 | Air-cleaner cover below | Air-cleaner cover below | | |
| HS50QT-12 | 1-4 | 50QT12-31010-004 | 空滤器抱箍 | ClipΦ46 | ClipΦ46 | | |
| HS50QT-12 | 1-5 | GB/T845-85 | 自攻螺钉ST4.8×16 | Screw ST4.8*16 | Screw ST4.8*16 | | |
| HS50QT-12 | 2 | GB/T5787-86 | 六角法兰面螺栓M6×25 | Hexagon bolt M6*25 | Hexagon bolt M6*25 | | |
| HS50QT-12 | 3 | 1P39QMB-001 | 边盖通风管 | VENT-PIPE | VENT-PIPE | | |
| HS50QT-12 | 4 | 1P39QMB-002 | 通风管抱箍 | VENT-PIPE HOOP | VENT-PIPE HOOP | | |
| HS50QT-12 | 5 | 1P39QMB-003 | 进气管 | Air pipe | Air pipe | | |
| HS50QT-12 | 6 | 1P39QMB-004 | 进气管抱箍 | ClipΦ40 | ClipΦ40 | | |

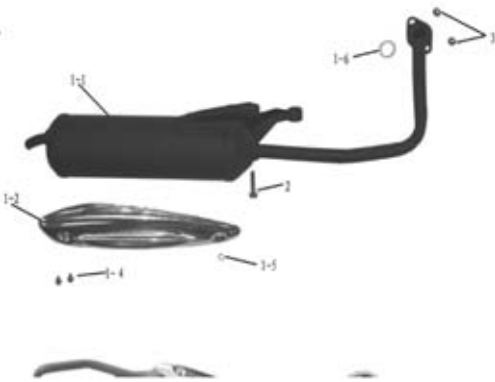
图31 后减震器总成
REAR SHOCK ABSORBER ASSY

| 型号 TOTAL NO | 序号 NO | 零件编号 PQRT NO | 中文名称 | CHINESE | 英文名称 | ENGLISH | NAME |
|----------------|----------|------------------|--------------|---------------------|---------------------|---------|------|
| | | | 名称 | NAME | 名称 | NAME | |
| HS50QT-12 | 1 | 50QT12-19021 | 后减震器 | Rear shock absorber | Rear shock absorber | | |
| HS50QT-12 | 2 | GB/T5783-2000 | 六角法兰面螺栓M8*35 | Hexagon bolt M8*35 | Hexagon bolt M8*35 | | |
| HS50QT-12 | 3-20 | 50QT12-26020-001 | 后尾箱锁 | Rear Carrier Lock | Rear Carrier Lock | | |



| | | | | |
|-----------|------|------------------|--------------|--------------------------------|
| HS50QT-12 | 3-21 | 50QT12-26020-002 | 后尾箱锁钥匙 | Key,Rear Carrier Lock |
| HS50QT-12 | 3 | 50QT12-32010 | 后尾箱总成 | Rear Carrier Assy |
| HS50QT-12 | 3-1 | 50QT12-32010-001 | 后尾箱上盖 | Upper Cover,Rear Carrier |
| HS50QT-12 | 3-2 | 50QT12-32010-002 | 后尾箱下盖 | Bottom Cover,Rear Carrier |
| HS50QT-12 | 3-3 | 50QT12-32010-003 | 后尾箱背垫 | Back Pillow ,Rear Carrier |
| HS50QT-12 | 3-4 | 50QT12-32010-004 | 后尾箱铰链 | Gemel,Rear Carrier |
| HS50QT-12 | 3-5 | 50QT12-32010-005 | 后尾箱反光片 | Glisten Piece ,Rear Carrier |
| HS50QT-12 | 3-6 | 50QT12-32010-006 | 后尾箱定位胶块 | Orientation Piece,Rear Carrier |
| HS50QT-12 | 3-7 | 50QT12-32010-007 | 后尾箱内垫 | Inner Bush,Rear Carrier |
| HS50QT-12 | 3-8 | 50QT12-32010-008 | 后尾箱锁钩 | Lock Hook,Rear Carrier |
| HS50QT-12 | 3-9 | 50QT12-32010-009 | 后尾箱锁罩 | Lock Cover,Rear Carrier |
| HS50QT-12 | 3-10 | 125-T0010-010 | 夹板螺母M6 | Clip M6 |
| HS50QT-12 | 3-11 | GB/T5787-86 | 螺栓M6×20 | Hexagon bolt M6*20 |
| HS50QT-12 | 3-12 | GB/T823-88 | 十字圆头钉M6×16 | Crossing bolt M6*16 |
| HS50QT-12 | 3-13 | GB/T845-85 | 自攻螺钉ST4.8×20 | Screw ST4.8*20 |
| HS50QT-12 | 3-14 | 125-T0010-001 | U型夹ST4.8 | Clip ST4.8 |
| HS50QT-12 | 3-15 | 50QT12-32010-010 | 后尾箱固定条 | Fixed Belt,Rear Carrier |
| HS50QT-12 | 3-16 | GB/T97.1-85 | 垫圈Φ6 | Washer Φ6 |
| HS50QT-12 | 3-17 | 125-T0010-017 | 凹形大垫圈Φ6 | Concave Big Washer M6 |
| HS50QT-12 | 3-18 | GB/T6170-2000 | 1字螺母M6 | Nut M6 |
| HS50QT-12 | 3-19 | GB/T5783-86 | 螺栓M6×50 | Hexagon bolt M6*50 |

图32 消声器总成
MUFFLER ASSY



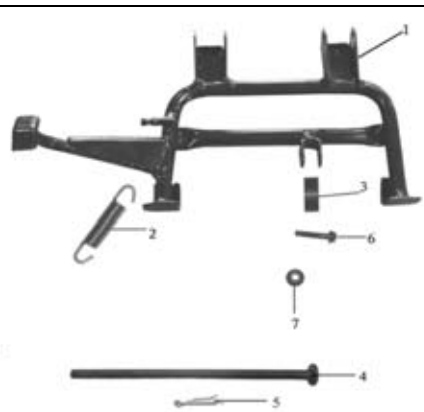
| 型号 TOTAL NO | 序号 NO | 零件编号 PQRT NO | 中文名称 CHINESE NAME | 英文名称 ENGLISH NAME |
|----------------|----------|------------------|-------------------------|-------------------------|
| HS50QT-12 | 1 | 50QT12-21010 | 排气消声器总成 | Muffler assy |
| HS50QT-12 | 1-1 | 50QT12-21010-001 | 消声器主体 | Muffler |
| HS50QT-12 | 1-2 | 50QT12-21010-002 | 镀铬装饰板 | Cover of muffler |
| HS50QT-12 | 1-3 | 50QT12-21010-003 | 镀铬尾罩 | Tail cover |
| HS50QT-12 | 1-4 | GB/T5787-86 | 六角法兰面螺栓M6×8 | Hexagon bolt M6*8 |
| HS50QT-12 | 1-5 | GB/T93-87 | 弹垫Φ6 | Spring washerΦ6 |
| HS50QT-12 | 1-6 | 50QT12-21010-004 | 消声器密封垫 | Washer of muffler |



| | | | | |
|-----------|---|---------------|--------------|--------------------|
| HS50QT-12 | 2 | GB/T5787-86 | 六角法兰面螺栓M8×40 | Hexagon bolt M8*40 |
| HS50QT-12 | 3 | 125-T0010-002 | 盖形螺母M6 | Hexagon nut M6 |

图33 主支架总成

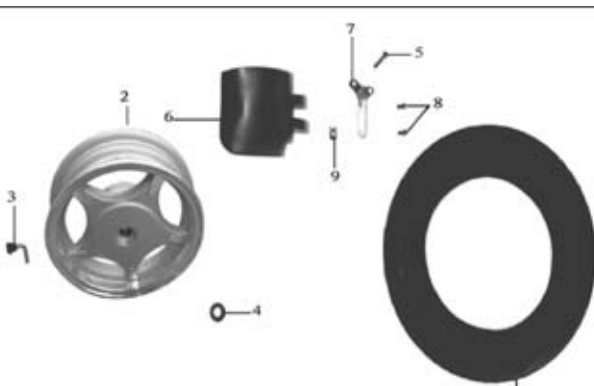
MAIN BRACKET ASSY



| 型号 TOTAL NO | 序号 NO | 零件编号 PQRT NO | 中文名称 CHINESE NAME | 英文名称 ENGLISH NAME |
|----------------|----------|-----------------|-------------------|-------------------------|
| HS50QT-12 | 1 | 50QT12-15004 | 主支架 | Center stand |
| HS50QT-12 | 2 | 50QT12-29002 | 主支架弹簧 | Spring |
| HS50QT-12 | 3 | 50QT12-27001 | 主支架缓冲胶垫 | Buffer of center stand |
| HS50QT-12 | 4 | 125-T0010-018 | 光杆轴M8×168-172 | Hexagon bolt M8*168-172 |
| HS50QT-12 | 5 | GB/T91-2000 | 开口销?2.5×16 | Placket Pin ?2.5×16 |
| HS50QT-12 | 6 | GB/T5787-2000 | 六角法兰面螺栓M6×25 | Hexagon bolt M6*25 |
| HS50QT-12 | 7 | GB/T6177.1-2000 | 六角法兰自锁螺母M6 | Nut M6 |

图34 后轮总成

REAR WHEEL ASSY



| 型号 TOTAL NO | 序号 NO | 零件编号 PQRT NO | 中文名称 CHINESE NAME | 英文名称 ENGLISH NAME |
|----------------|----------|--------------|-------------------|------------------------------|
| HS50QT-12 | 1 | 50QT12-18001 | 真空胎 | Rear tire |
| HS50QT-12 | 2 | 50QT12-17011 | 后轮圈 | Rear wheel |
| HS50QT-12 | 3 | 50QT12-18002 | 气门嘴 | Valve stem |
| HS50QT-12 | 4 | GB6187-2000 | 后轮螺母M16 | Nut M16 |
| HS50QT-12 | 5 | GB/T5787-86 | 六角法兰面螺栓M6×32 | Hexagon bolt M6*32 |
| HS50QT-12 | 6 | 1P39QMB-007 | 后泥板 | Rear wheel fender |
| HS50QT-12 | 7 | 1P39QMB-008 | 后泥板支架 | Bracket of rear wheel fender |
| HS50QT-12 | 8 | GB/T823-86 | 十字圆头螺钉M6×12 | Screw M6*12 |

